

## OVERVIEW

The 10026 High Pressure Proximity Probe can withstand pressures to 1000 psig (6.89 MPa). These probes are available in reverse mount only, have high pressure seals and are used with high pressure 5499 mounting accessories.

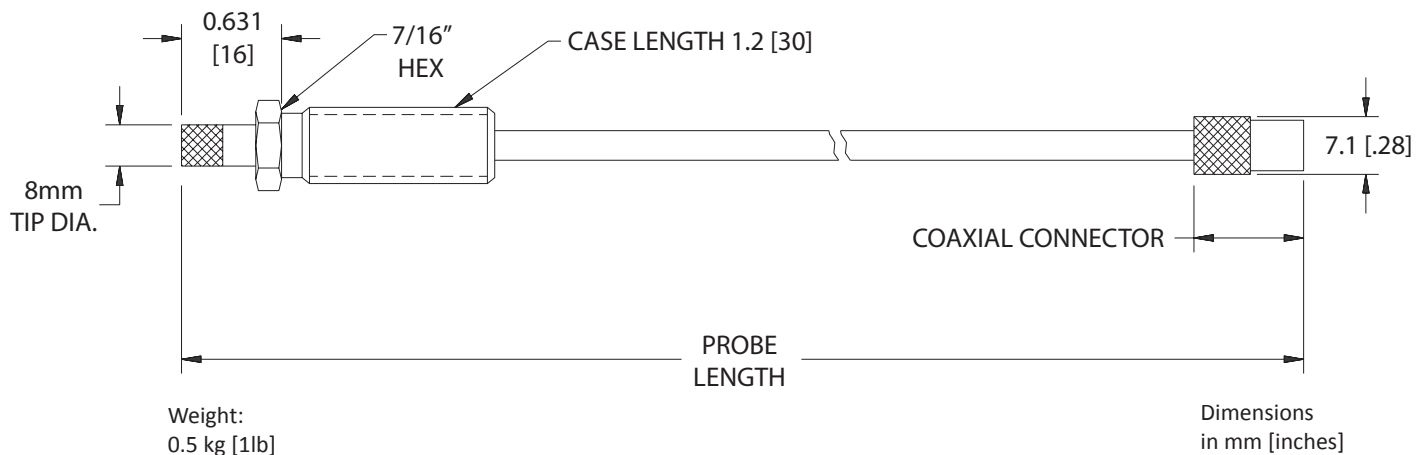


## SPECIFICATIONS

<b>Probe Tip Material</b>	Ryton
<b>Probe Case Material</b>	Series 300 Series Stainless Steel
<b>Probe Cable Specs</b>	Coaxial cable with Tefzel insulation for maximum abrasion resistance with ProxMatch color & alphanumeric coding specific to a series and system length.
<b>Cable Impedance</b>	95 Ω
<b>Connector Material</b>	Gold plated brass
<b>Connector to Connector Torque</b>	Finger tight and 1/8 turn.
<b>Tensile Strength</b>	75 lbf. probe case to probe lead. 60 lbf. probe pigtail to connector and 60 lbf. connectors to extension cable.
<b>Minimum Bend Radius</b>	1 inch (25mm)
<b>Target Material</b>	4140 steel (standard)
<b>Probe &amp; Extension Cable Temperature Range</b>	-40°C to +177°C (-40°F to +351°F)
<b>Probe Pressure</b>	1000 psig (6.89 MPa)
<b>Relative Humidity</b>	100% condensing but not submersible and with connectors properly protected.

## WEIGHT & DIMENSIONS

### High Pressure Reverse Mount Probe Style (Model 10026-925-XX-02) to 1000 PSI (6.89 MPa)



HOW TO ORDER

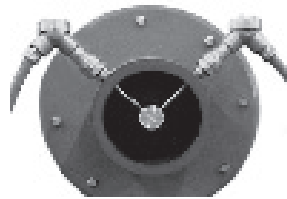
10026-925 - **A A** - 02

Model	Tip Diameter	Case Threads	A	A	Probe Length	Connector
10026	8mm	3/8-24 UNF	0	5	= 0.5m ± 0.05m	Yes
			1	0	= 10 = 1.0m ± 0.1m	

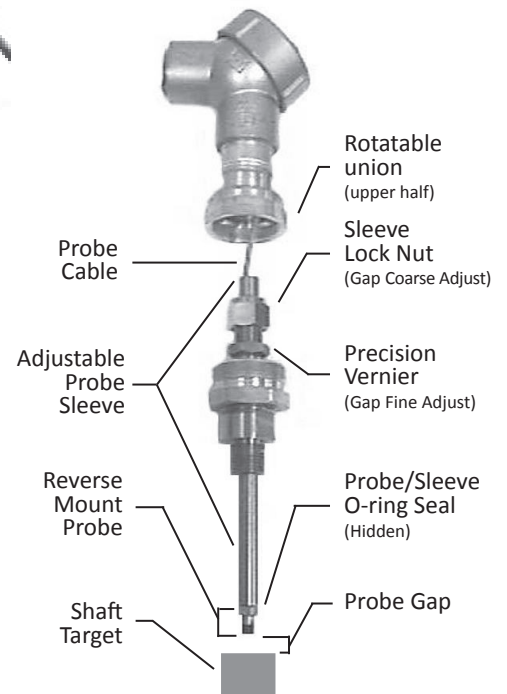
MODEL 5499 REQUIRED PROBE MOUNT (for reverse mount probe style only)

With VerniGap™ fine sleeve adjustment for easily setting precise probe gaps.

Model 5499 ruggedized housing provides physical protection for probe. It facilitates faster and more accurate probe gap setup and maintenance with separate coarse adjustment and vernier fine adjustment mechanisms. Disassembly of the integral conduit union allows adjustment access as shown in the photo. An adjustable Probe Sleeve is included with Model 5499. The Reverse Mount Probe is installed into the threaded end of the probe sleeve and then locked in place with the lock nut. Sleeve can be field cut to the proper insertion length prior to probe installation.



Housing opened to show gap adjustment



5499 - **X X X**

X	X	X	Tip Diameter	Max. Insertion Depth	Use with Model	Pressure
0	0	2	3/8" x 24	6.2 in	Any reverse mount probe with these threads	Up to 100 psi (0.689 MPa)
0	0	3		13.4 in		
1	0	2	M10 x 1	15.75 cm	Available upon request	Up to 200 psi (1.37 MPa)
1	0	3		34.0 cm		
2	0	2	3/8" x 24	7.4 in	10026-925-05	Up to 1000 psi (6.89 MPa)
2	0	3		13.4 in	10026-925-10	
3	0	2	M10 x 1	18.5 cm	Available upon request	Up to 1000 psi (6.89 MPa)
3	0	3		34 cm		
4	0	2	3/8" x 24	7.4 in	10026-925-05	Up to 1000 psi (6.89 MPa)
4	0	3		13.4 in		
5	0	2	M10 x 1	18.5 cm	Available upon request	Up to 1000 psi (6.89 MPa)
5	0	3		34 cm		

Standard is for 1/2" NPT mounting stud, for 3/4" NPT mounting, add M1002 in suffix. Example: 5499-002-M1002