

ECLIPSE® 700GWR

HART® Installation and Operating Manual for Eclipse® Model 700

Software Version 1.x

Guided Wave Radar Level Transmitter



Read this Manual Before Installing

This manual provides information on the Eclipse® Model 700 transmitter. It is important that all instructions are read carefully and followed in sequence. The *QuickStart Installation* instructions are a brief guide to the sequence of steps for experienced technicians to follow when installing the equipment. Detailed instructions are included in the *Complete Installation* section of this manual.

Conventions Used in this Manual

Certain conventions are used in this manual to convey specific types of information. General technical material, support data, and safety information are presented in narrative form. The following styles are used for notes, cautions, and warnings.

NOTES

Notes contain information that augments or clarifies an operating step. Notes do not normally contain actions. They follow the procedural steps to which they refer.

Cautions

Cautions alert the technician to special conditions that could injure personnel, damage equipment, or reduce a component's mechanical integrity. Cautions are also used to alert the technician to unsafe practices or the need for special protective equipment or specific materials. In this manual, a caution box indicates a potentially hazardous situation which, if not avoided, may result in minor or moderate injury.

WARNINGS

Warnings identify potentially dangerous situations or serious hazards. In this manual, a warning indicates an imminently hazardous situation which, if not avoided, could result in serious injury or death.

Safety Messages

The ECLIPSE system is designed for use in Category II, Pollution Degree 2 installations. Follow all standard industry procedures for servicing electrical and computer equipment when working with or around high voltage. Always shut off the power supply before touching any components. Although high voltage is not present in this system, it may be present in other systems.

Electrical components are sensitive to electrostatic discharge. To prevent equipment damage, observe safety procedures when working with electrostatic sensitive components.

This device complies with Part 15 of the FCC rules. Operation is subject to the following two conditions: (1) This device may not cause harmful interference, and (2) This device must accept any interference received, including interference that may cause undesired operation.

WARNING! Explosion hazard. Do not connect or disconnect unless power has been switched off and/or the area is known to be non-hazardous.

Low Voltage Directive

For use in Installations Category II, Pollution Degree 2. If equipment is used in a manner not specified by the manufacturer, protection provided by equipment may be impaired.

Notice of Copyright and Limitations

Magnetrol® & Magnetrol® logotype and Eclipse® are registered trademarks of Magnetrol® International, Incorporated.

Copyright © 2020 Magnetrol® International, Incorporated. All rights reserved.

MAGNETROL reserves the right to make changes to the product described in this manual at any time without notice. MAGNETROL makes no warranty with respect to the accuracy of the information in this manual.

Warranty

All MAGNETROL electronic level and flow controls are warranted free of defects in materials or workmanship for eighteen months from the date of original factory shipment. If returned within the warranty period; and, upon factory inspection of the control, the cause of the claim is determined to be covered under the warranty; then, MAGNETROL will repair or replace the control at no cost to the purchaser (or owner) other than transportation.

MAGNETROL shall not be liable for misapplication, labor claims, direct or consequential damage or expense arising from the installation or use of equipment. There are no other warranties expressed or implied, except special written warranties covering some MAGNETROL products.

Quality Assurance

The quality assurance system in place at MAGNETROL guarantees the highest level of quality throughout the company. MAGNETROL is committed to providing full customer satisfaction both in quality products and quality service.

The MAGNETROL quality assurance system is registered to ISO 9001 affirming its commitment to known international quality standards providing the strongest assurance of product/service quality available.



Eclipse® Model 700 Guided Wave Radar Transmitter

Table of Contents

1.0 QuickStart Installation	
1.1 Getting Started.....5	
1.1.1 Equipment and Tools5	
1.1.2 Configuration Information.....6	
1.2 QuickStart Mounting.....7	
1.2.1 Transmitter/Probe7	
1.3 QuickStart Wiring8	
1.4 QuickStart Configuration8	
1.4.1 QuickStart Menu Options10	
1.4.1.1 QuickStart Numerical Data Entry.....11	
2.0 Complete Installation	
2.1 Unpacking12	
2.2 Electrostatic Discharge (ESD) Handling Procedure12	
2.3 Before You Begin.....13	
2.3.1 Site Preparation13	
2.3.2 Equipment and Tools13	
2.3.3 Operational Considerations.....13	
2.4 Mounting.....14	
2.4.1 Installing a Coaxial Probe (Models 7zP and 7zT).....14	
2.4.1.1 To install a coaxial probe15	
2.4.2 Installing a Single Rod Probe Rigid Models 7zF Flexible Models 7z1.....15	
2.4.2.1 To install a rigid single rod probe16	
2.4.2.2 To install a flexible single rod probe16	
2.5 Wiring17	
2.5.1 General Purpose or Non-Incendive (CI I, Div 2)17	
2.5.2 Intrinsically Safe.....18	
2.6 Configuration19	
2.6.1 Bench Configuration.....19	
2.6.2 Menu Traversal and Data Entry.....20	
2.6.2.1 Navigating the Menu.....20	
2.6.2.2 Data Selection20	
2.6.2.3 Entering Numeric Data Using Digit Entry.....21	
2.6.2.4 Entering Numeric Data Using Increment/Decrement21	
2.6.2.5 Entering Character Data.....22	
2.6.3 Password Protection22	
2.6.4 Model 700 Menu: Step-By-Step Procedure ..23	
2.6.5 Model 700 Configuration Menu — Device Setup25	
2.7 Configuration Using HART®.....31	
2.7.1 Connections31	
2.7.2 HART Communicator Display31	
2.7.3 HART Revision Table31	
2.7.4 HART Menu — Model 70031	
3.0 Reference Information	
3.1 Transmitter Description36	
3.2 Theory of Operation.....36	
3.2.1 Guided Wave Radar36	
3.2.2 Time Domain Reflectometry (TDR).....36	
3.2.3 Equivalent Time Sampling (ETS).....37	
3.2.4 Interface Detection.....37	
3.2.5 Overfill Capability.....39	
3.3 Troubleshooting and Diagnostics39	
3.3.1 Diagnostics (Namur NE 107)40	
3.3.2 Diagnostic Indication Simulation.....42	
3.3.3 Diagnostic Indication Table.....42	
3.3.4 Diagnostic Help45	
3.3.5 Troubleshooting Application Issues46	
3.3.5.1 Model 700 (Single Rod Probe)47	

3.4 Configuration Information	49	4.0 Advanced Configuration/Troubleshooting Techniques	
3.4.1 Level Offset Description.....	49	4.1 End-of-Probe Analysis (EOPA)	80
3.4.2 End-of-Probe Analysis	50	4.1.1 Enable EOPA using PACT <i>ware</i>	80
3.4.3 Echo Rejection	51	4.1.2 Enable EOPA using keyboard/LCD.....	81
3.4.4 Volumetric Capability	51	4.2 Sloped Threshold	82
3.4.4.1 Configuration using built-in		4.3 Echo Rejection	84
Vessel Types	51	4.4 Buildup Detection.....	87
3.4.4.2 Configuration using Custom Table.....	53	4.4.1 Buildup Detection Setup using PACT <i>ware</i>	88
3.4.5 Open Channel Flow Capability.....	54	4.4.2 Buildup Detection Setup using the Keypad ...	89
3.4.5.1 Configuration using Flume/Weir			
Equations	55		
3.4.5.2 Configuration using Generic			
Equation.....	56		
3.4.5.3 Configuration using Custom			
Table.....	57		
3.4.6 Reset Function	58		
3.4.7 Additional Diagnostic/Troubleshooting			
Capabilities	58		
3.4.7.1 Event History	58		
3.4.7.2 Context-sensitive Help	58		
3.4.7.3 Trend Data	58		
3.5 Agency Approvals.....	59		
3.5.1 Special Conditions of Use	59		
3.5.2 Agency Specifications — FM/CSA			
Intrinsically Safe Installation	60		
3.6 Specifications	61		
3.6.1 Functional/Physical	61		
3.6.2 O-ring (Seal) Selection Chart	63		
3.6.3 Probe Selection Guide	64		
3.6.4 Probe Specifications.....	65		
3.6.5 Physical Specifications — Transmitter	66		
3.6.6 Physical Specifications — Coaxial Probes.....	67		
3.6.7 Physical Specifications —			
Single Rod Probes	67		
3.6.8 Power Supply Requirements	68		
3.6.8.1 Safe Operating Area.....	68		
3.6.8.2 Supply Voltage.....	68		
3.7 Model Number	69		
3.7.1 Transmitter.....	69		
3.7.2 Basic Coaxial Probe.....	70		
3.7.3 Enlarged Coaxial Probe	72		
3.7.4 Single Rod Rigid Probe	74		
3.7.5 Single Cable Flexible Probe	76		
3.9 Replacement Parts	78		

1.0 QuickStart Installation

The QuickStart Installation procedures provide an overview of the key steps required for mounting, wiring, and configuring the ECLIPSE Model 700 Guided Wave Radar level transmitter. These procedures are intended for more experienced installers of ECLIPSE transmitters (or other electronic level measurement instruments).

Section 2.0, *Complete Installation*, offers more detailed installation instructions for the first time user.

WARNING: Overfill-capable probes such as the Model 7zP or 7zT should be used for any Safety Shutdown/Overfill applications.

The Model 700 transmitter, when used with an overfill coaxial probe, is capable of measuring true liquid level all the way up to the face of the flange or NPT connection. This is a very unique advantage as compared to other Guided Wave Radar (GWR) devices that may infer level at the top of the probe when signals are lost or uncertain. Refer to Section 3.2.5 for additional information on overfill capability.

Depending on the probe type, all other ECLIPSE probes should be installed so the maximum overfill level is a minimum of 150–300 mm (6"–12") below the flange or NPT connection. This may include utilizing a nozzle or spool piece to raise the probe. Consult factory to ensure proper installation and operation.

1.1 Getting Started

Have the proper equipment, tools, and information available before beginning the QuickStart Installation procedures.

1.1.1 Equipment and Tools

- Open-end wrenches (or adjustable wrench) to fit the process connection size and type.
 - Coaxial probe: 38 mm (1 1/2")
 - Single rod probe: 47 mm (1 7/8")
- Flat-blade screwdriver
- Cable cutter and 3/32" hex wrench (for flexible cable probes only)
- Digital multimeter (DMM)
- 24 VDC power supply, 23 mA minimum

1.1.2 Configuration Information

To utilize the QuickStart menu available on the ECLIPSE Model 700, some key information is required for configuration.

Gather the information and complete the following operating parameters table before beginning configuration.

NOTES: The QuickStart menu is available for Level Only applications.

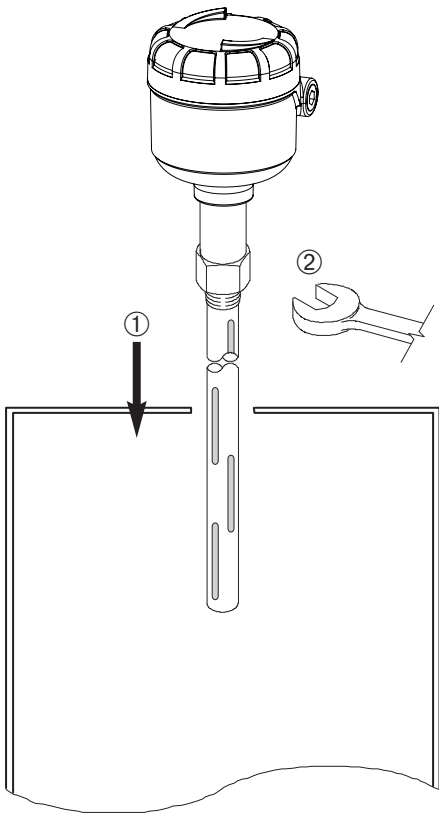
1. Refer to Section 2.6.5 for configuration menus for Interface, Volume or Flow applications.
2. These configuration steps are not necessary if the transmitter was pre-configured prior to shipment.

Display	Question	Answer
Level Units	What units of measurement will be used? (inches, millimeters, centimeters, feet or meters)	_____
Probe Model	What probe model is listed on the model information? (first three digits of probe model number)	_____
Probe Mount	Is the probe mounted NPT, BSP, or flange? (Refer to probe model.)	_____
Probe Length	What probe length is listed on the probe model information? (last three digits of the probe model number)	_____
Level Offset	The desired level reading when the liquid is at the tip of the probe. (Refer to Section 3.4 for more information.)	_____
Dielectric Range	What is the dielectric constant range of the process medium?	_____
4.0 mA Set Point	What is the 0 % reference point for the 4.0 mA value?	_____
20.0 mA Set Point	What is the 100 % reference point for the 20.0 mA value? (Ensure that this value is outside of the Blocking Distance when utilizing non-overfill-capable probes.)	_____
Failure Alarm	What output current is desired when a Failure Indicator is present?	_____

1.2 QuickStart Mounting

Ensure that the configuration style and process connection size/type of the ECLIPSE transmitter and probe matches the requirements of the installation before continuing with the QuickStart installation.

NOTE: To avoid moisture ingress in the housing, covers should be fully tightened at all times. For same reason, conduit entries should be properly sealed.

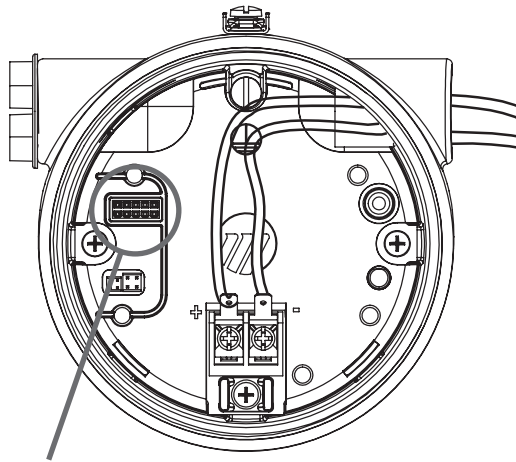


1.2.1 Transmitter/Probe

The Model 700 transmitter and probe are shipped as a set and should not be separated in the field.

1. Carefully place the probe into the vessel. Align the probe process connection with the threaded or flanged mounting on the vessel.
2. Tighten the hex nut of the probe process connection or flange bolts, ensuring the transmitter is in an optimal position for viewing and configuration.

1.3 QuickStart Wiring

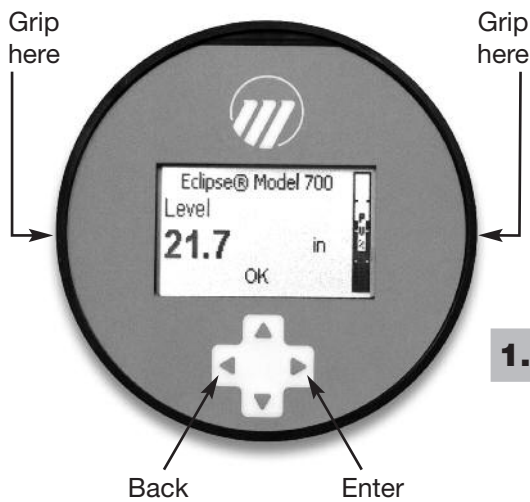


LCD Connector Slot

WARNING! Possible explosion hazard. Do not connect or disconnect equipment unless power has been switched off and the area is known to be non-hazardous.

NOTE: Ensure that the electrical wiring to the ECLIPSE Model 700 transmitter is complete and in compliance with all local regulations and codes.

1. Remove the cover of the Model 700 transmitter.
2. Using the grip edge at 3 o'clock and 9 o'clock on the LCD module shown at left, carefully remove the LCD module from the transmitter. (Note that this module is conveniently tethered to the device.)
3. Attach a conduit fitting and mount the conduit plug in the spare opening. Pull power supply wire through the fitting.
4. If present, connect cable shield to an earth ground at the power supply.
5. Connect an earth ground to the green ground screw (Not shown in illustration).
6. Connect the positive supply wire to the (+) terminal and the negative supply wire to the (-) terminal.
7. Align the LCD assembly in the connector slot and re-insert the LCD assembly; replace and tighten the cover.



1.4 QuickStart Configuration

If requested, the ECLIPSE Model 700 transmitter is shipped fully pre-configured for the application and can be installed immediately. Otherwise it is shipped configured with default values from the factory and can be easily reconfigured in the shop.

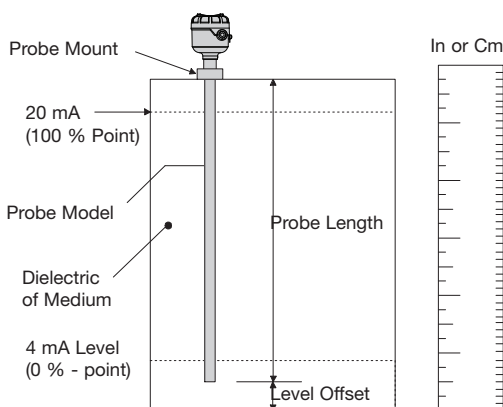
The minimum configuration instructions required for using the QuickStart menu follow. Use the information from the operating parameters table in Section 1.1.2 to proceed with the configuration.

The QuickStart menu offers a very simple two screen overview showing the basic parameters required for typical "Level Only" operation.

1. Apply power to the transmitter.

The graphic LCD display can be programmed to change every 2 seconds to show pertinent Measured Values on the Home Screen. For example: Level, %Output, and Loop current can all be displayed on a rotating set of screens.

The LCD can also be programmed to always show just one of the Measured Variables at all times. For example: Level can be continuously displayed on the screen.



NOTE: A small transition zone (0-300 mm (0-12")) may exist at the top and bottom of certain probes.

STEP 4



2. The 4-button directional keypad offers multiple forms of functionality for menu navigation and data entry. (See Section 2.6 for complete explanation.)

- ▲ **UP** moves up through the menu or increases a displayed value.
- ▼ **DOWN** moves down through the menu or decreases a displayed value.
- ◀ **BACK** exits a branch of the menu or exits without accepting entered value.
- ▶ **ENTER** enters a branch of the menu or accepts a displayed entry.

NOTE: Holding down ENTER when any menu or parameter is highlighted will show help text in reference to that item.

The default User Password = 0. (If a password is requested, enter it at that time.)

STEP 5



The following configuration entries are the minimum required for a QuickStart configuration. Refer to figures at left.

3. Press any key at the Home Screen to access the Main Menu.
4. Press ▶ **ENTER** with the **DEVICE SETUP** menu item highlighted.
5. Press ▶ **ENTER** with the **QUICKSTART** menu item highlighted.

The QuickStart shows the basic parameters, with the present value of the highlighted parameter shown at the bottom of the screen.

One can now quickly and easily scroll through the QuickStart configuration items, changing those parameters as required:

- Scroll to the parameter to be changed.
- Press ▶ **ENTER** at the highlighted parameter.
- Scroll to the desired option, then press ▶ **ENTER**.
- Scroll to next parameter or press ◀ **BACK** when finished to exit the QuickStart menu.

STEP 6



Section 1.4.1 lists and describes the nine parameters in the QuickStart menu.

6. After making all of the necessary changes in the QuickStart menu, press the **BACK** button three times to return to the Home Screen.
7. The QuickStart configuration is complete. If properly configured, the Model 700 transmitter is now measuring level and is ready for service.

1.4.1 QuickStart Menu Options

Level Units	Select the Units of measurement for the level readout: <ul style="list-style-type: none"> • Inches • Feet • Millimeters • Centimeters • Meters 	
Probe Model	Select the Probe Model to be used with Model 700: <ul style="list-style-type: none"> • 7zF Single Rod • 7zP Coaxial High Pressure • 7zT Coaxial Standard • 7z1 Single Flexible Standard 	
Probe Mount	Select the type of Probe Mounting to the vessel: <ul style="list-style-type: none"> • NPT (National Pipe Thread) • BSP (British Standard Pipe) • Flange (ASME or EN) 	
Probe Length	Enter the exact Probe Length as printed on the probe nameplate. Probe Length is shown as the last three digits of the Probe Model number. Range is 30 cm to 30 meters (12 inches to 100 feet) probe dependent. Refer to Section 1.4.1.1.	
Level Offset	Enter the desired level reading when the liquid is at the end of the probe. Range is -762 cm to 22 meters (-25 feet to 75 feet). Refer to Section 3.4 for further information. (With default Level Offset = 0, all measurements are referenced from the bottom of the probe.)	
Dielectric Range	Enter the Dielectric Range for the material to be measured. <ul style="list-style-type: none"> • Below 1.7 (Light hydrocarbons like Propane and Butane) • 1.7 to 3.0 (Most typical hydrocarbons) • 3.0 to 10 (Varying dielectric, for example: mixing tanks) • 10 (Water-based media) 	
HART Only	4 mA Set Point (LRV)	Enter the level value (0 %-point) for the 4 mA point. Lower Range Value (LRV). Refer to Section 1.4.1.1.
	20 mA Set Point (URV)	Enter the level value (100 %-point) for the 20 mA point. Upper Range Value (URV). Refer to Section 1.4.1.1.
	Failure Alarm	Enter the desired output state when a Failure Indicator is active. <ul style="list-style-type: none"> • 22 mA • 3.6 mA • Hold (Hold last value is not recommended, unless troubleshooting)

1.4.1.1 QuickStart Numerical Data Entry

To make numerical entry changes to Probe Length and Level Offset:

- ▲ **UP** moves up to the next highest digit (0,1,2,3,....,9 or the decimal point).
If held down the digits scroll until the push button is released.
- ▼ **DOWN** moves up to the next lowest digit (0,1,2,3,....,9 or the decimal point). If held down the digits scroll until the push button is released.
- ◀ **BACK** moves the cursor to the left and deletes a digit.
If the cursor is already at the leftmost position, then the screen is exited without changing the previously saved value.
- ▶ **ENTER** moves the cursor to the right. If the cursor is located at a blank character position, the new value is saved.

Scrolling further **DOWN** in the QuickStart menu results in the remaining parameters appearing one by one, with the present highlighted value shown at the bottom of the screen.

- ◀ **BACK** returns to the previous menu without changing the original value, which is immediately redisplayed.
- ▶ **ENTER** accepts the displayed value and returns to the previous menu.

Negative values can be entered by highlighting the “+” sign shown prior to the number, then pressing **UP** to change it to show “-”.

2.0 Complete Installation

This section provides detailed procedures for properly installing, wiring, and configuring the ECLIPSE Model 700 Guided Wave Radar Level Transmitter.

2.1 Unpacking

Unpack the instrument carefully. Make sure all components have been removed from the packing material. Check all contents against the packing slip and report any discrepancies to the factory.

Before proceeding with the installation,

- Inspect all components for damage. Report any damage to the carrier within 24 hours.
- Make sure the nameplate model number on the transmitter agrees with the packing slip and purchase order.
- Record the model and serial numbers for future reference when ordering parts.

Model Number

Serial Number

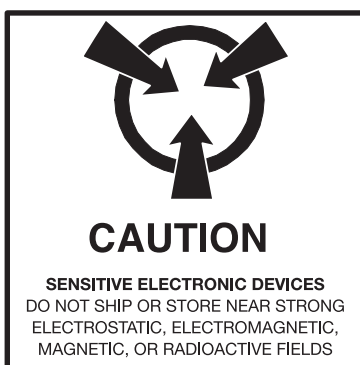
NOTE: To avoid moisture ingress in the housing, covers should be fully tightened at all times. For same reason, conduit entries should be properly sealed.

2.2 Electrostatic Discharge (ESD) Handling Procedure

MAGNETROL electronic instruments are manufactured to the highest quality standards. These instruments use electronic components that may be damaged by static electricity present in most work environments.

The following steps are recommended to reduce the risk of component failure due to electrostatic discharge.

- Ship and store circuit boards in anti-static bags. If an anti-static bag is not available, wrap the board in aluminum foil. Do not place boards on foam packing materials.



-
- Use a grounding wrist strap when installing and removing circuit boards. A grounded workstation is recommended.
 - Handle circuit boards only by the edges. Do not touch components or connector pins.
 - Make sure that all electrical connections are completely made and none are partial or floating. Ground all equipment to a good, earth ground.

2.3 Before You Begin

2.3.1 Site Preparation

Each ECLIPSE Model 700 transmitter is built to match the physical specifications of the required installation. Ensure that the probe process connection is correct for the threaded or flanged mounting on the vessel where the transmitter will be placed. See Mounting, Section 2.4.

Ensure that all local, state, and federal regulations and guidelines are observed. See Wiring, Section 2.5.

Ensure that the wiring between the power supply and ECLIPSE transmitter is complete and correct for the type of installation. See Specifications, Section 3.6.

2.3.2 Equipment and Tools

No special equipment or tools are required to install the ECLIPSE transmitter. The following items are recommended:

- Open-end wrenches (or adjustable wrench) to fit the process connection size and type.
 - Coaxial probe: 38 mm (1 1/2")
 - Single Rod probe: 47 mm (1 7/8")
- A torque wrench is highly desirable.
- Flat-blade screwdriver
 - Cable cutter and 3/32" hex wrench (for flexible cable probes only)
 - Digital multimeter (DMM)
 - 24 VDC power supply, 23 mA minimum

2.3.3 Operational Considerations

Operating specifications vary based on probe model number. See Specifications, Section 3.6.

2.4 Mounting

An ECLIPSE Model 700 GWR probe can be mounted on to a tank using a variety of process connections. Generally, either a threaded or flanged connection is used. For information about the sizes and types of connections available, see Probe Model Numbers, Section 3.7.2.

NOTE: Do not place insulating material around any part of the ECLIPSE Model 700 transmitter as this may cause excessive heat buildup.

Ensure that all mounting connections are properly in place on the tank before installing the probe.

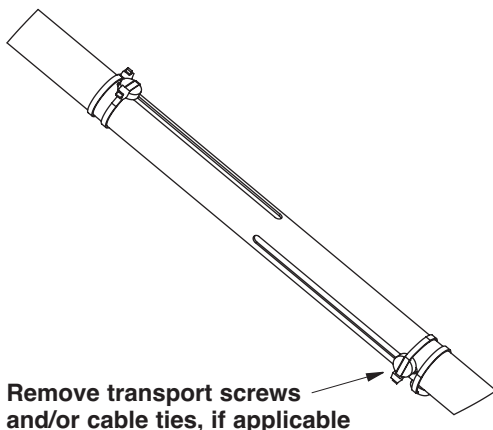
WARNING! Overfill-capable probes such as the Model 7zP or 7zT should be used for any Safety Shutdown/Overfill applications.

The Model 700 transmitter, when used with an overfill coaxial probe, is capable of measuring true liquid level to within specification all the way up to the face of the flange or NPT connection. This is a very unique advantage as compared to other Guided Wave Radar (GWR) devices that may infer level at the top of the probe when signals are lost or uncertain. Refer to Section 3.2.6 for additional information on overfill capability.

All other ECLIPSE probes should be installed so the maximum overfill level is a minimum of 150 mm (6") below the flange or NPT connection. This may include utilizing a nozzle or spool piece to raise the probe. Consult factory to ensure proper installation and operation.

WARNING! Do not disassemble probe when in service and under pressure.

NOTE: Model 7zP high pressure probe (containing a glass ceramic alloy process seal) should be handled with extra care. Handle this probe only by the flange or NPT connection. If supplied, remove transport hardware as shown at left prior to installation.

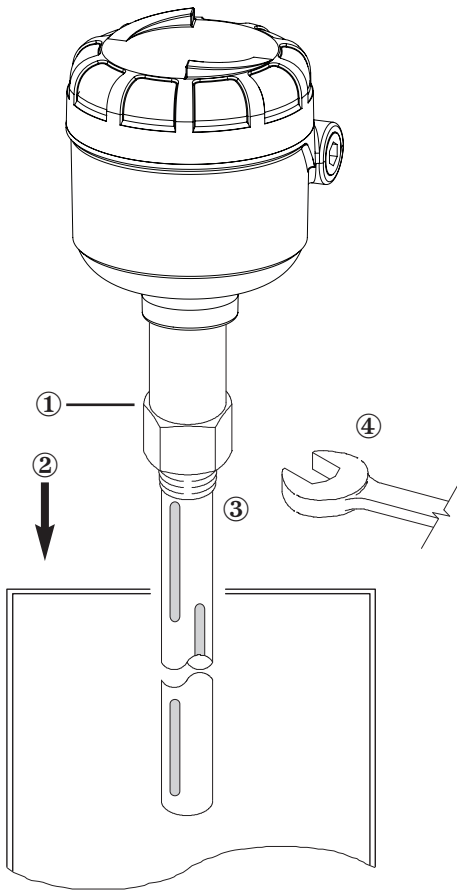


Remove transport screws
and/or cable ties, if applicable

2.4.1 Installing a Coaxial Probe (Models 7zP and 7zT)

Before installing, ensure that:

- Probe has adequate room for installation and has unobstructed entry to the bottom of the vessel.
- Process temperature, pressure, dielectric, and viscosity are within the probe specifications for the installation. See Specifications, Section 3.6.



2.4.1.1 To install a coaxial probe:

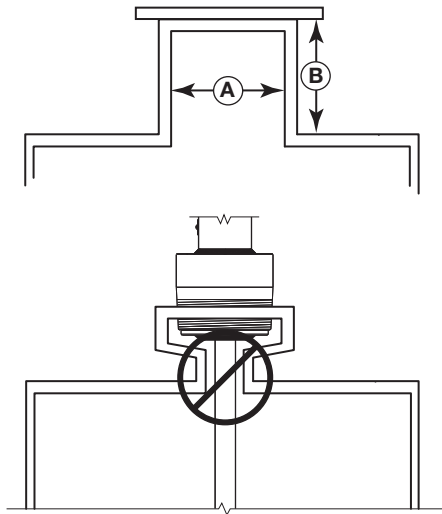
1. Ensure that the process connection is the correct threaded or flanged mounting.
2. Carefully place the probe into the vessel. Properly align the gasket on flanged installations.
3. Align the probe process connection with the threaded or flanged mounting on the vessel.
4. For threaded connections, tighten the hex nut of the probe process connection. For flanged connections, tighten flange bolts.

2.4.2 Installing a Single Rod Probe Rigid Models 7zF Flexible Models 7z1

Before installing, ensure that the:

- Probe has adequate room for installation and has unobstructed entry to the bottom of the vessel.
- Process temperature, pressure, dielectric, and viscosity are within the probe specifications for the installation. See Specifications, Section 3.6.

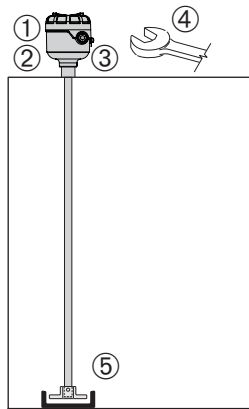
NOTE: If using a removable single rod, ensure that all pieces are assembled and connected before installation.



1. Ensure that the nozzle does not restrict performance by ensuring the following (refer to figure at left):
 - Nozzle is > 50 mm (2") diameter.
 - Ratio of Diameter: Length (A:B) is 1:1 or greater; any ratio <1:1 (e.g., a 50 mm x 152 mm, 2" x 6" nozzle = 1:3) may require a Blocking Distance and/or DIELECTRIC RANGE adjustment.
2. No pipe reducers (restrictions) are used.
3. Probe is kept away from conductive objects to ensure proper performance.
 - See Probe Clearance Table below. A lower gain (increase in DIELECTRIC RANGE setting) may be necessary to ignore certain objects
 - This table is only a recommendation. These distances can be improved by optimizing the transmitter configuration with PACTware™.

Distance to Probe	Acceptable Objects
<15 cm (6")	Continuous, smooth, parallel conductive surface, for example a metal tank wall; important that probe does not touch wall
>15 cm (6")	<25 mm (1") diameter pipe and beams, ladder rungs
>30 cm (12")	<75 mm (3") diameter pipe and beams, concrete walls
>46 cm (18")	All remaining objects

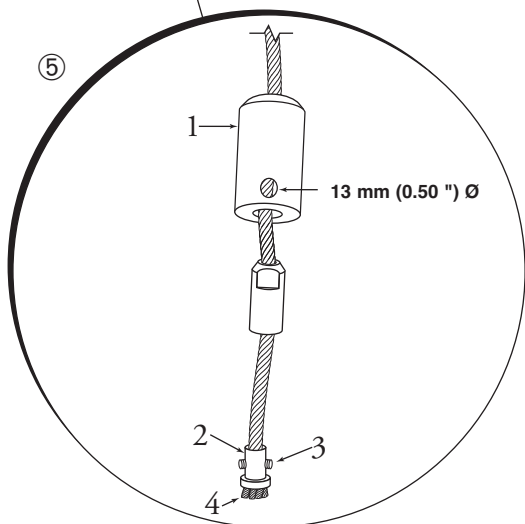
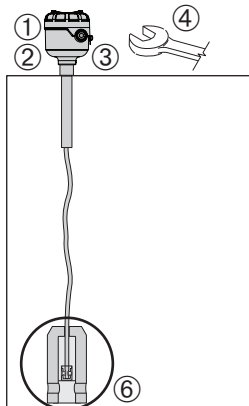
2.4.2.1 To install a rigid single rod probe:



1. Ensure that the process connection is at least 1" NPT or is a flanged mounting.
2. Carefully place the probe into the vessel. Align the gasket on flanged installations.
3. Align the probe process connection with the threaded or flanged mounting on the vessel.
4. For threaded connections, tighten the hex nut of the probe process connection. For flanged connections, tighten flange bolts.
5. When mounted directly into vessels, the probe can be stabilized by placing the tip of the probe into a non-metallic cup or bracket at the bottom of the probe.

A bottom spacer option is offered for mounting into a metallic cup or bracket or for centering within a pipe/chamber. Refer to Replacement Parts, Section 3.8 for additional information.

2.4.2.2 To install a flexible single rod probe:



1. Make sure the process connection is at least 1" NPT or a flanged mounting.
2. Carefully place the probe into the vessel. Align the gasket on flanged installations.
3. Align the probe process connection with the threaded or flanged mounting on the vessel.
4. For threaded connections, tighten the hex nut of the probe process connection. For flanged connections, tighten flange bolts.
5. Probe can be shortened in field:
 - a. Raise TFE weight (1) exposing securing device (2).
 - b. Loosen both #10–32 set screws (3) using 3/32" hex wrench and remove securing device.
 - c. Cut and remove needed cable (4) length.
 - d. Reattach securing device and tighten screws.
 - e. Enter new probe length (in the appropriate units) into the transmitter.
6. Probe can be attached to the tank bottom using the 13 mm (0.50") hole provided in the TFE weight. Cable tension should not exceed 23 Kgs (50 lbs).

2.5 Wiring

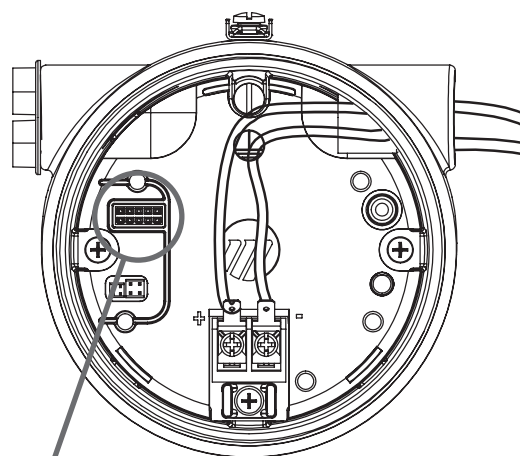
Caution: The ECLIPSE Model 700 transmitter operates at voltages of 11–36 VDC. Higher voltages will damage the transmitter.

Wiring connections between the power supply and the ECLIPSE Model 700 transmitter should be made using 18–22 AWG shielded twisted pair instrument cable. Connections are made to the terminal strip and the ground connections beneath the LCD module.

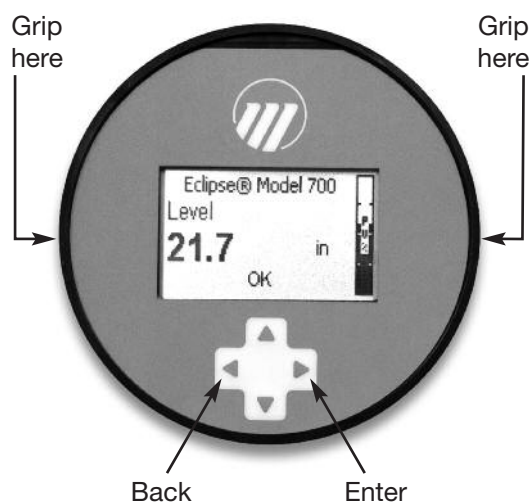
The directions for wiring the ECLIPSE transmitter depend on the application:

- General Purpose
- Intrinsically Safe
- Non-Incendive (Cl I, Div. 2)

WARNING! Explosion hazard. Do not disconnect equipment unless power has been switched off or the area is known to be non-hazardous.



LCD Connector Slot



2.5.1 General Purpose or Non-Incendive (Cl I, Div. 2)

A general purpose installation does not have flammable media present.

Areas rated Non-Incendive (Cl I, Div. 2) have flammable media present only under abnormal conditions.

No special electrical connections are required.

To install General Purpose or Non-Incendive wiring:

1. Remove the cover of the Model 700 transmitter.
2. Using the grip edge at 3 o'clock and 9 o'clock on the LCD module shown at left, carefully remove the LCD module from the transmitter. (Note that this module is conveniently tethered to the device.)
3. Attach a conduit fitting and mount the conduit plug in the spare opening. Pull power supply wire through the fitting.
4. If present, connect cable shield to an earth ground at the power supply.
5. Connect an earth ground to the green ground screw (Not shown in illustration).
6. Connect the positive supply wire to the (+) terminal and the negative supply wire to the (-) terminal.
7. Align the LCD assembly in the connector slot and re-insert the LCD assembly; replace and tighten the cover.

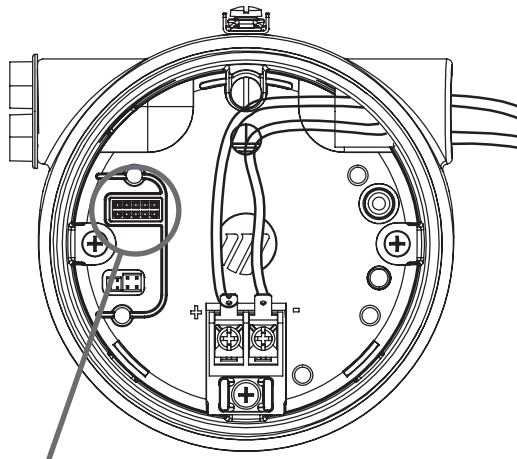
2.5.2 Intrinsically Safe

An Intrinsically Safe (IS) installation potentially has flammable media present. An approved IS barrier must be installed in the non-hazardous (safe) area to limit the available energy out to the hazardous area.

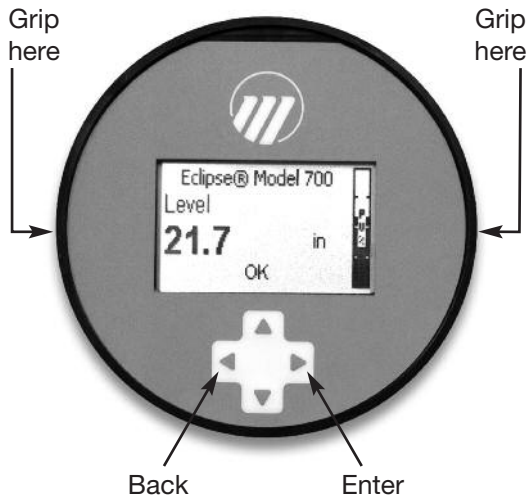
See Agency Drawing – Intrinsically Safe Installation, Section 3.5.2.

To install Intrinsically Safe wiring:

1. Remove the cover of the Model 700 transmitter.
2. Using the grip edge at 3 o'clock and 9 o'clock on the LCD module shown at left, carefully remove the LCD module from the transmitter. (Note that this module is conveniently tethered to the device.)
3. Attach a conduit fitting and mount the conduit plug in the spare opening. Pull power supply wire through the fitting.
4. If present, connect cable shield to an earth ground at the power supply.
5. Connect an earth ground to the green ground screw (Not shown in illustration).
6. Connect the positive supply wire to the (+) terminal and the negative supply wire to the (-) terminal.
7. Align the LCD assembly in the connector slot and re-insert the LCD assembly; replace and tighten the cover.



LCD Connector Slot



Back

Enter

2.6 Configuration

Although the ECLIPSE Model 700 transmitter can be delivered pre-configured from the factory, it can also be easily reconfigured in the shop or at the installation using the local LCD/Keypad or PACTware/DTM. Bench configuration provides a convenient and efficient way to set up the transmitter before going to the tank site to complete the installation.

Before configuring any transmitter, collect all operating parameters information (refer to Section 1.1.2).

Apply power to the transmitter and follow the step-by-step procedures below for the menu-driven transmitter display. Refer to Sections 2.6.2 and 2.6.4.

Information on configuring the transmitter using a HART communicator is given in Section 2.7, Configuration Using HART.

2.6.1 Bench Configuration

The ECLIPSE Model 700 transmitter can be easily configured at a test bench by connecting a standard 24 VDC power supply directly to the transmitter terminals.

When using a HART communicator for configuration, a minimum 250-ohm line load resistance is required. Refer to your HART communicator manual for additional information.

2.6.2 Menu Traversal and Data Entry

The 4-button directional keypad push buttons offer various forms of functionality for navigation and data entry.

The Model 700 user interface is hierarchical in nature, best described as a tree structure. Each level in the tree contains one or more items. Items are either menu labels or parameter names.

- Menu labels are presented in all capital letters
- Parameters are capitalized words



2.6.2.1 Navigating the Menu

- ▲ **UP** moves to the previous item in the menu branch.
- ▼ **DOWN** moves to the next item in the menu branch.
- ◀ **BACK** moves back one level to the previous (higher) branch item.
- ▶ **ENTER** enters into the lower level branch or switches to the entry mode. Holding the ENTER down on any highlighted menu name or parameter will show help text for that item.

2.6.2.2 Data Selection

This method is used for selecting configuration data from a specific list.

- ▲ **UP** and ▼ **DOWN** to navigate the menu and highlight the item of interest.
- ▶ **ENTER** allows modification of that selection.
- ▲ **UP** and ▼ **DOWN** to choose new data selection.
- ▶ **ENTER** to confirm selection.

Use ◀ **BACK** (Escape) key at any time to abort the procedure and escape to previous branch item.

2.6.2.3 Entering Numeric Data Using Digit Entry

This method is used to input numeric data, e.g., Probe Length, set 4mA and set 20mA.

Push button		Keystroke Action
▲	Up	Moves up to the next highest digit (0,1,2,3,....,9 or decimal point). If held down the digits scroll until the push button is released.
▼	Down	Moves up to the next lowest digit (0,1,2,3,....,9 or decimal point). If held down the digits scroll until the push button is released.
◀	Back	Moves the cursor to the left and deletes a digit. If the cursor is already at the leftmost position, then the screen is exited without changing the previously saved value.
▶	Enter	Moves the cursor to the right. If the cursor is located at a blank character position, the new value is saved.

All numeric values are left-justified, and new values are entered from left to right. A decimal point can be entered after the first digit is entered, such that .9 is entered as 0.9.

Some configuration parameters can have a negative value. In this case, the leftmost position is reversed for the sign (either "-" for a negative value, or "+" for a positive value).

2.6.2.4 Entering Numeric Data Using Increment/Decrement

Use this method to input the following data into parameters such as Damping and Failure Alarm.

Push button		Keystroke Action
▲	Up	Increments the displayed value. If held down the digits scroll until the push button is released. Depending on which screen is being revised, the increment amount may increase by a factor of 10 after the value has been incremented 10 times.
▼	Down	Decrements the displayed value. If held down the digits scroll until the push button is released. Depending on which screen is being revised, the decrement amount may increase by a factor of 10 after the value has been decremented 10 times.
◀	Back	Returns to the previous menu without changing the original value, which is immediately redisplayed.
▶	Enter	Accepts the displayed value and returns to the previous menu.

2.6.2.5 Entering Character Data

This method is used for parameters requiring alphanumeric character entry, such as for entering tags, etc.

General Menu Notes:

Push button		Keystroke Action
▲	Up	Moves to the previous character (Z...Y...X...W). If held down, the characters scroll until the push button is released.
▼	Down	Moves to the next item character (A...B...C...D). If held down, the characters scroll until the push button is released.
◀	Back	Moves the cursor back to the left. If the cursor is already at the leftmost position, then the screen is exited without changing the original tag characters.
▶	Enter	Moves the cursor forward to the right. If the cursor is at the rightmost position, then the new tag is saved.

2.6.3 Password Protection

The ECLIPSE Model 700 transmitter has three levels of password protection to restrict access to certain portions of the menu structure that affect the operation of the system.

User Password

The User Password allows the customer to limit access to the basic configuration parameters.

The default User Password installed in the transmitter at the factory is 0. With a password of 0, the transmitter is no longer password protected and any value in the basic user menus can be adjusted without entering a confirming password.

The user password can be changed to any numerical value up to 59999.

NOTE: If a User Password is not known or has been misplaced, the menu item New Password in the DEVICE SETUP/ADVANCED CONFIG menu displays an encrypted value representing the present password. Contact Technical Support with this encrypted password to retrieve the original User Password.

Advanced Password

Certain portions of the menu structure that contain more advanced parameters are further protected by an Advanced Password.

This password will be provided, when necessary, by Factory technical support.

Factory Password

Calibration-related and other factory settings are further protected by a Factory Password.

2.6.4 Model 700 Menu: Step-By-Step Procedure

The following tables provide a complete explanation of the software menus displayed by the ECLIPSE transmitter. The menu layout is similar between the local Keypad/LCD interface, the DD, and the DTM.

Use these tables as a step-by-step guide to configure the transmitter based on the desired measurement type from the following selections:

- Level Only
- Interface & Level
- Level & Volume
- Flow

HOME SCREEN

The Home Screen consists of a “slide show” sequence of Measured Values screens which are rotated at 2-second intervals. Each Home Measured Value screen can present up to four information items:

- HART® Tag
- Measured Value
Label, Numerical Value, Units
- Status
Will be displayed as text or optionally with NAMUR NE 107 symbol
- Primary Value Bar Graph (shown in %)

The Home Screen presentation can be customized by viewing or hiding some of these items. See DISPLAY CONFIG under the DEVICE SETUP menu in Section 2.6.5 — Configuration Menu.

At left is an example of a Home Screen for a Model 700 configured for a Level Only application.





MAIN MENU

Pressing any key on the Home Screen will present the Main Menu, consisting of three basic menu labels shown in all capital letters.

- **DEVICE SETUP**
- **DIAGNOSTICS**
- **MEASURED VALUES**

As shown, the reverse video represents a cursor identifying the selected item, which will appear in reverse video on the LCD. The actions of the keys at this point are:

Push button		Keystroke Action
▲	Up	No action as the cursor is already at the first item in the MAIN MENU
▼	Down	Moves the cursor to DIAGNOSTICS
◀	Back	Moves back to HOME SCREEN, the level above MAIN MENU
▶	Enter	Presents the selected item, DEVICE SETUP

- NOTES: 1. Items and parameters that are shown in lower level menus will depend on the Measurement Type chosen. Those parameter not applicable to the present Measurement Type will be hidden.
2. Holding down the Enter key when the cursor is highlighted over a parameter or menu will provide additional information about that item.

DEVICE SETUP

Choosing DEVICE SETUP from the MAIN MENU will result in an LCD presentation as shown at left.

The small down arrow cursor shown at the right hand side of the screen is the indication that more items are available below and can be accessed by pressing the DOWN key.

Section 2.6.5 shows the entire tree menu for the Model 700 DEVICE SETUP Menu.

DIAGNOSTICS

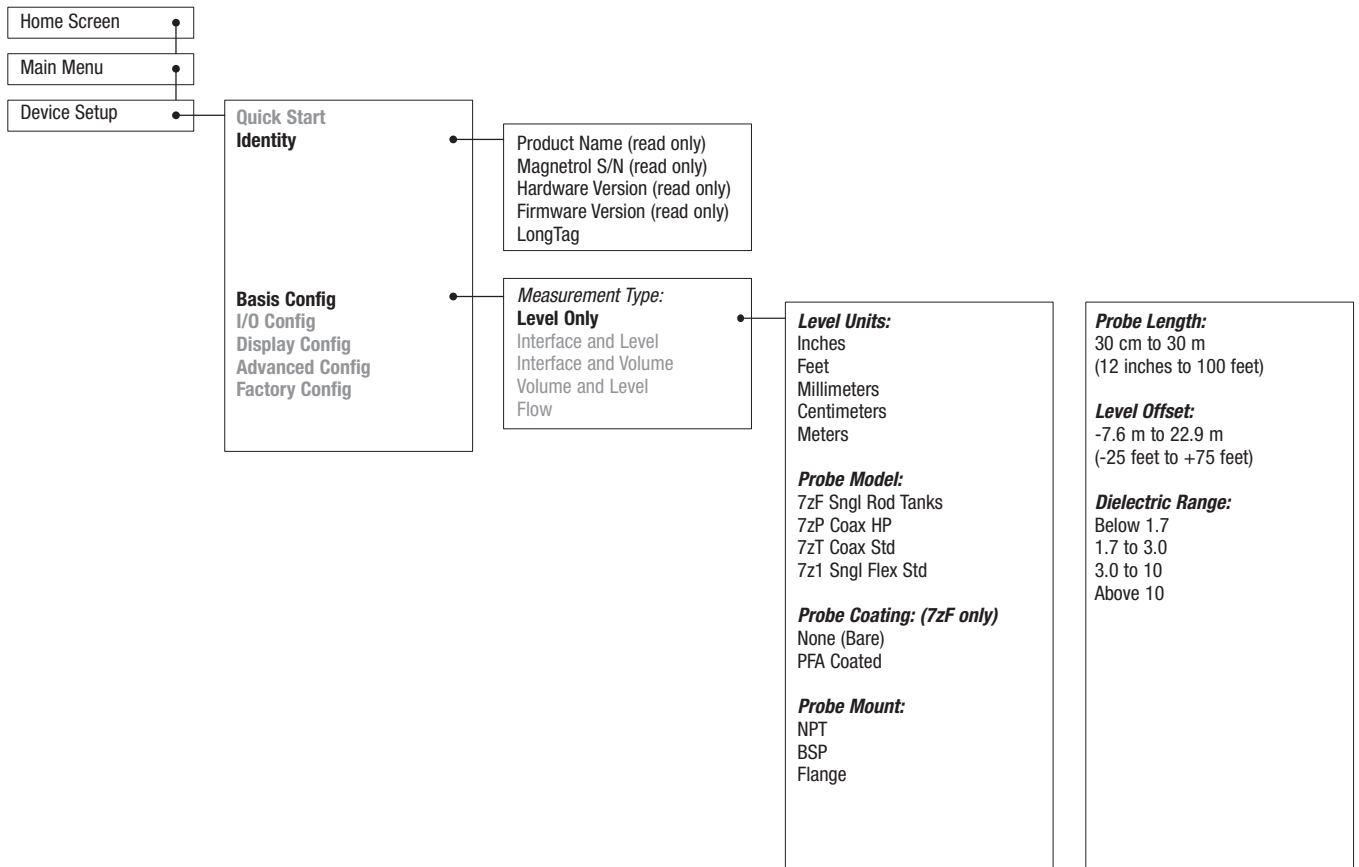
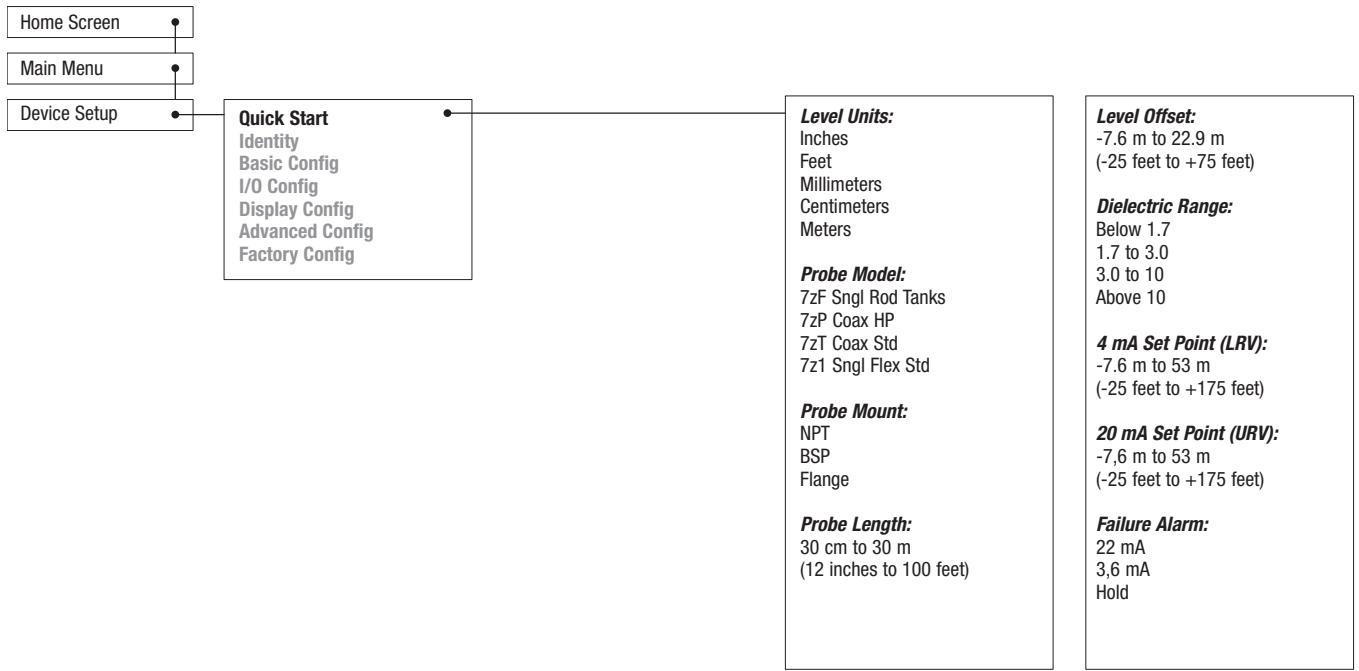
Refer to Section 3.3.4

MEASURED VALUES

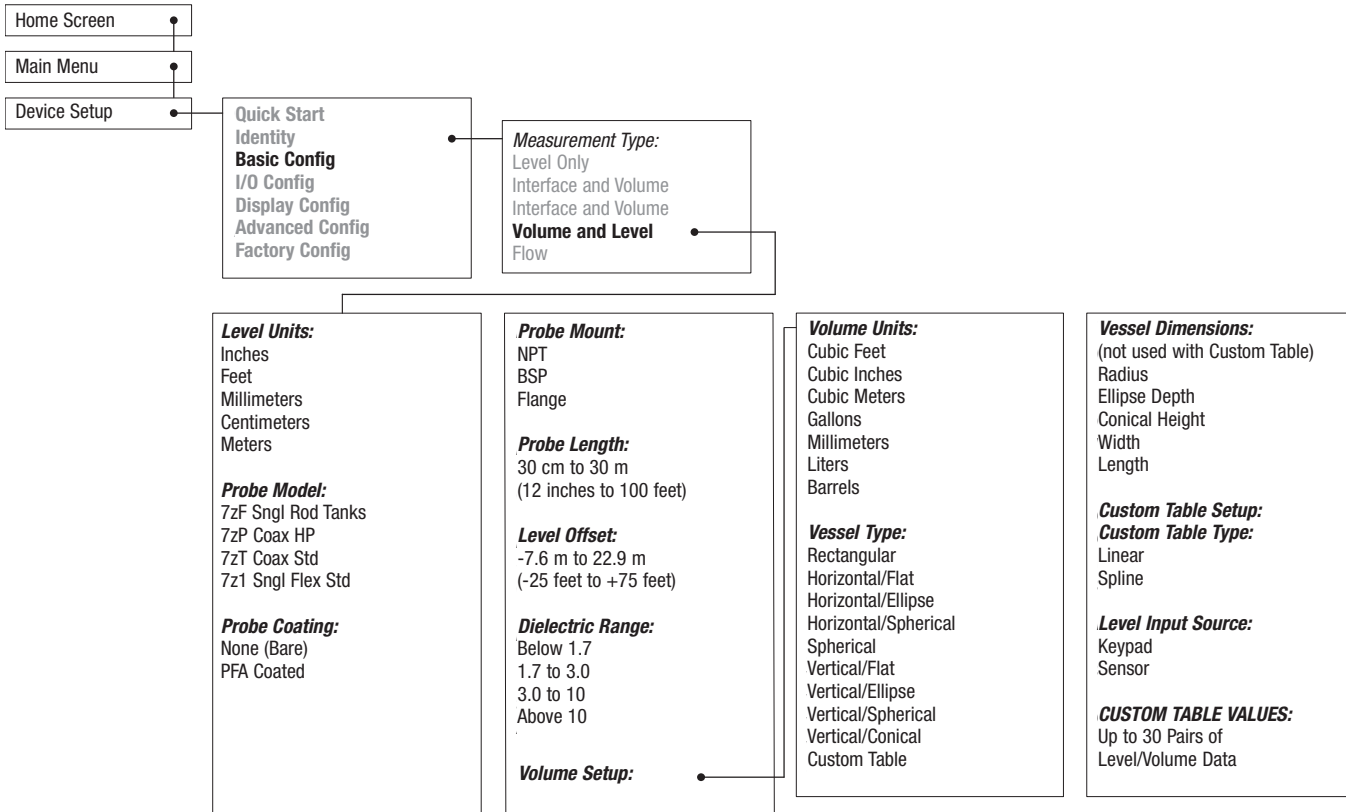
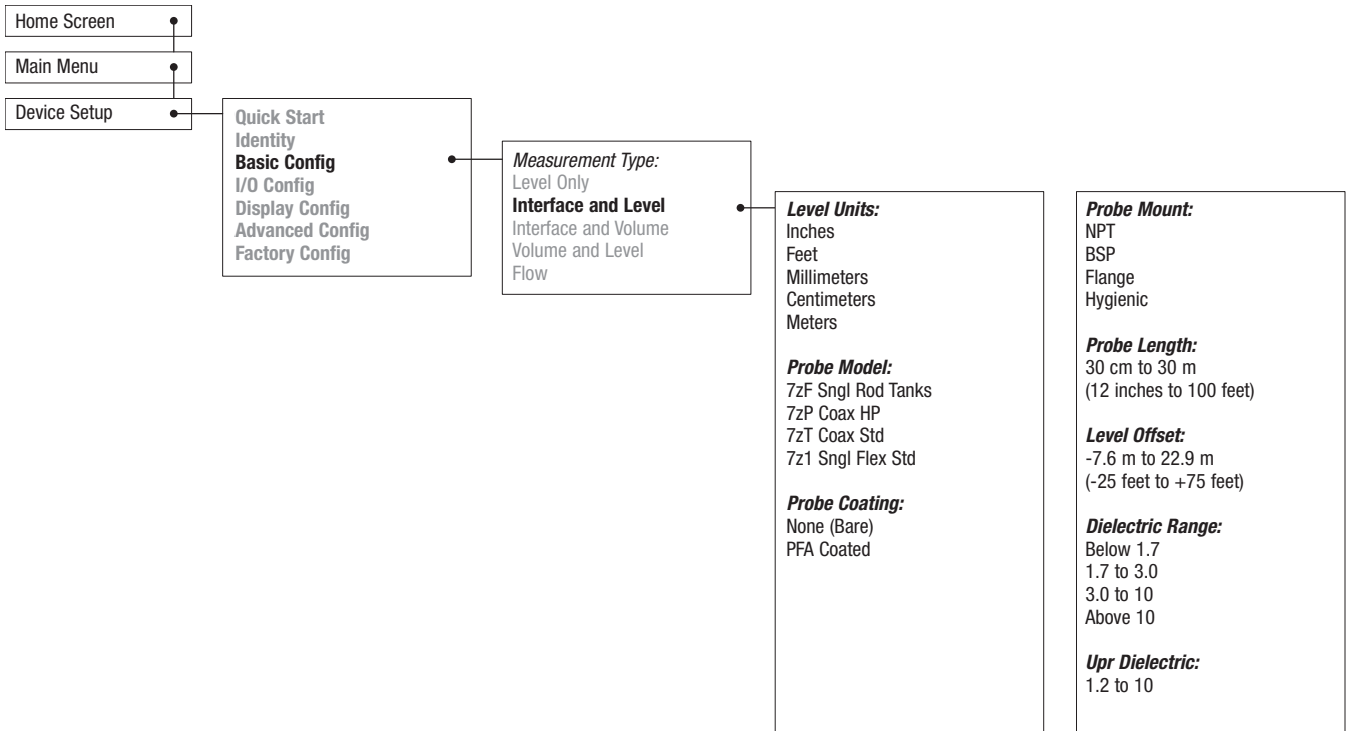
Allows the user to scroll through all of the available measured values for the measurement type chosen.



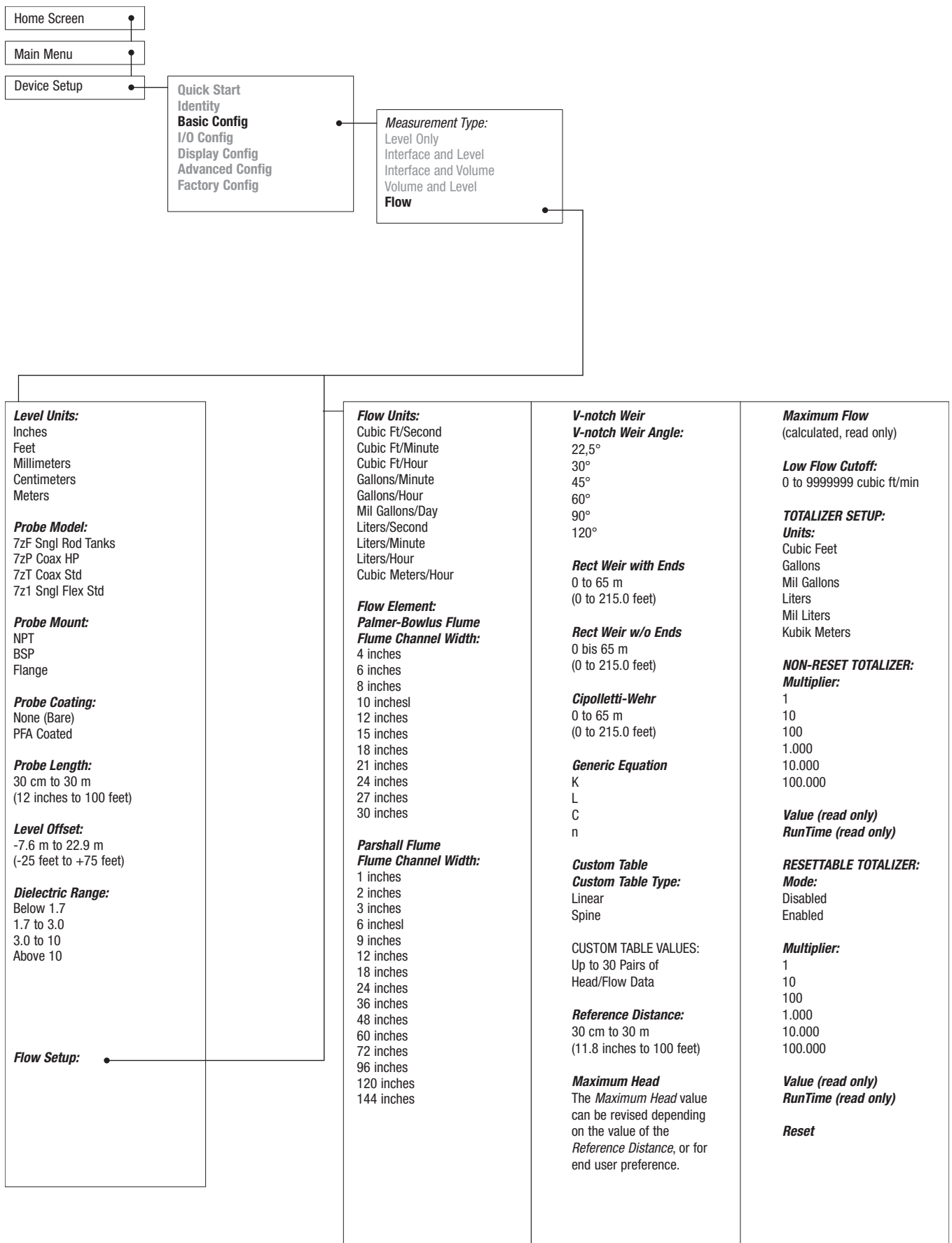
2.6.5 Model 700 Configuration Menu — Device Setup



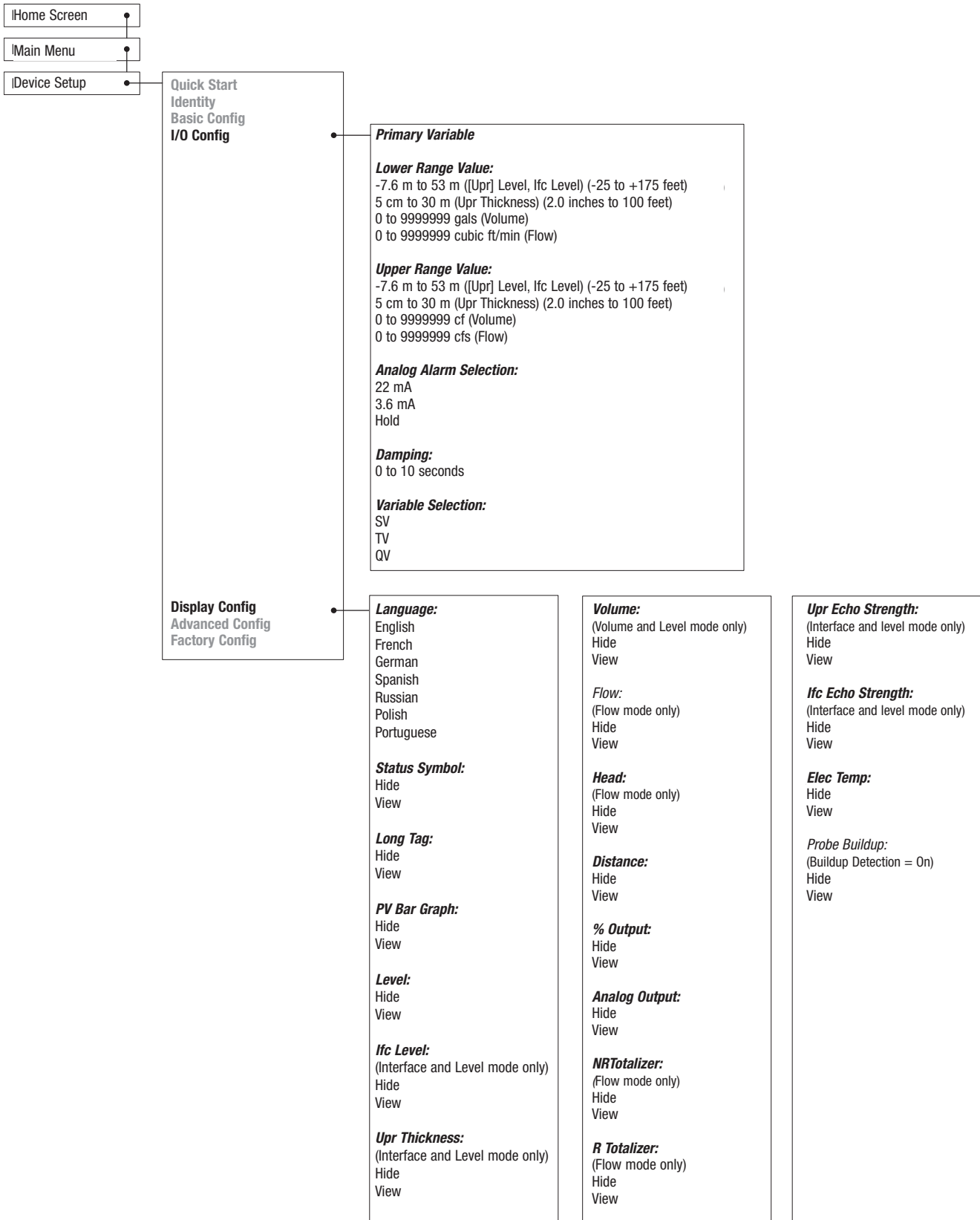
2.6.5 Model 700 Configuration Menu — Device Setup



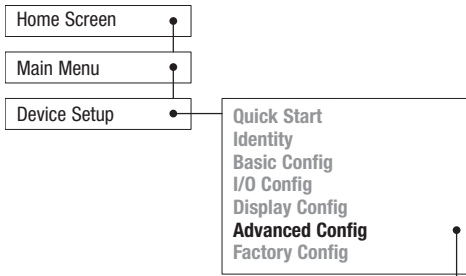
2.6.5 Model 700 Configuration Menu — Device Setup



2.6.5 Model 700 Configuration Menu — Device Setup



2.6.5 Model 700 Configuration Menu — Device Setup



Sensitivity:
0 to 100 echo strength units

Blocking Distance:
-2 m to 30 m
(-7.5 to +100 feet)

Safety Zone Alarm:
None
3.6 mA
22 mA
Latched 3.6 mA
Latched 22 mA

Safety Zone Height:
(not used when Safety Alarm is None)
5 cm to 30 m
(2 inches to 100 feet)

Reset SZ Alarm
(used when Safety Alarm is Latch 3.6 mA or Latch 22 mA)

Failure Alarm Delay:
0 to 5 seconds

Level Trim:
-0.6 m to + 0.6 m
(-2.00 to + 2.00 feet)

THRESHOLD SETTINGS

Lvl Thresh Mode:
Auto Largest
(not used with Interface and Level)
Fixed Value
Auto Upper
Sloped

Lvl Thresh Value:
0 to 100 echo strength units
Sloped Start Value
(used when Lvl Thresh Mode is Sloped)
0 to 100 echo strength units

Sloped Start Value:
(used when Lvl Thresh Mode is Sloped)

Sloped Start Distance:
(used when Lvl Thresh Mode is Sloped)

Sloped End Dist:
(used when Lvl Thresh Mode is Sloped)
7 to 30 m
(25 to 100 feet)

Auto Upper Limit:
(used when Lvl Thresh Mode is Auto Upper)

Ifc Lvl Thresh Mode:
(Interface and Level only)
Auto Largest
Fixed Value

Ifc Lvl Thresh Value:
(Interface and Level only)
0 to 100 echo strength units

EoP Thresh Mode:
Auto Largest
Fixed Value

EoP Thresh Value:
0 to 100 echo strength units

ENDofPROBE ANALYSIS:

EoP Polarity:
Positive
Negative

EoP Analysis:
(not used with Interface and Level)
Off
On

EoP Dielectric:
(not used with Interface and Level)
1.20 to 9.99

ECHO REJECTION:
View Echo Curve

REJECTION CONTROL:
Reject Curve State:
Off
Disabled
[Enabled]

Reject Curve Mode:
Level
Distance

Saved Medium

NEW REJECT CURVE:
Actual Medium
Save Reject Curve

Compensation:
None
Auto
Manual
Vapor Dielectric
1.00 to 2.00

Max. Level Jump

Buildup Detection:
Off
On

ANALOG OUTPUT:
HART Poll Address:
0 to 63

Analog Output Mode:
Disabled (Fixed)
Enabled (PV)
[Fixed Current Value]
4 to 20 mA

ADJUST ANALOG OUTPUT:
Adjust 4mA
Adjust 20mA

New User Password:
0 to 59,999

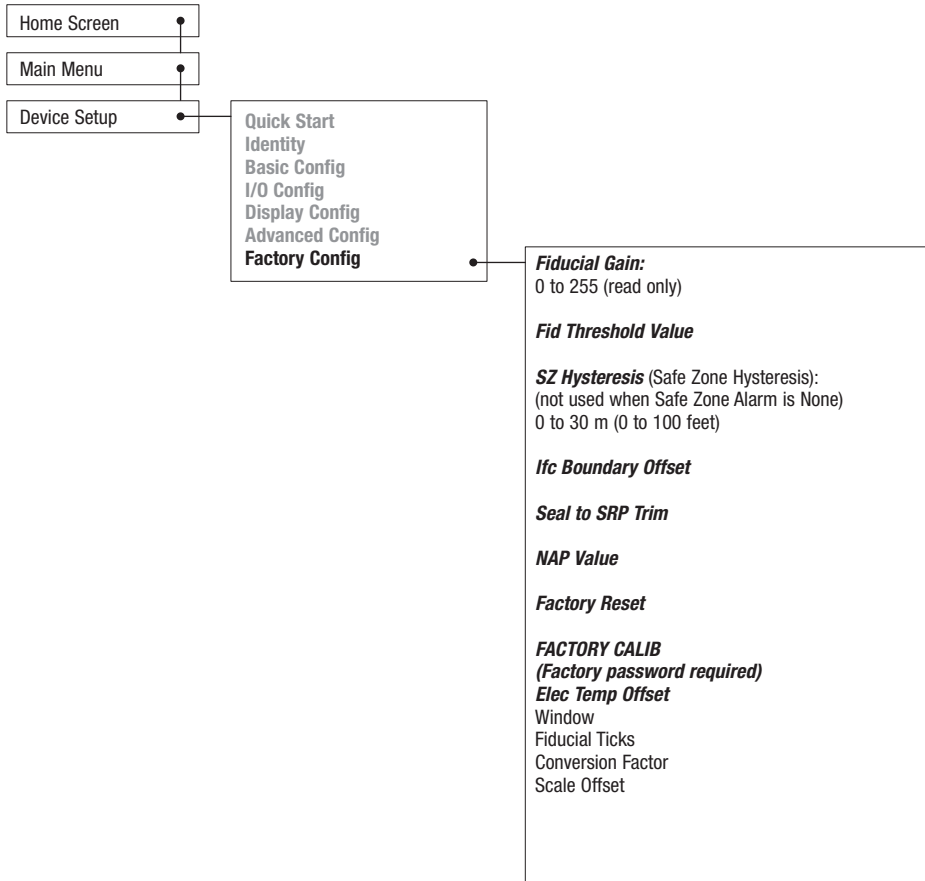
CONFIG CHANGED:
Indicator Mode:
Disabled
Enabled

Reset Config Chngd:
Reset?
No
Yes

Reset Parameters:
No
Yes

LEVEL TABLE SETUP:
Level Table Mode:
Disabled
Enabled

2.6.5 Model 700 Configuration Menu — Device Setup

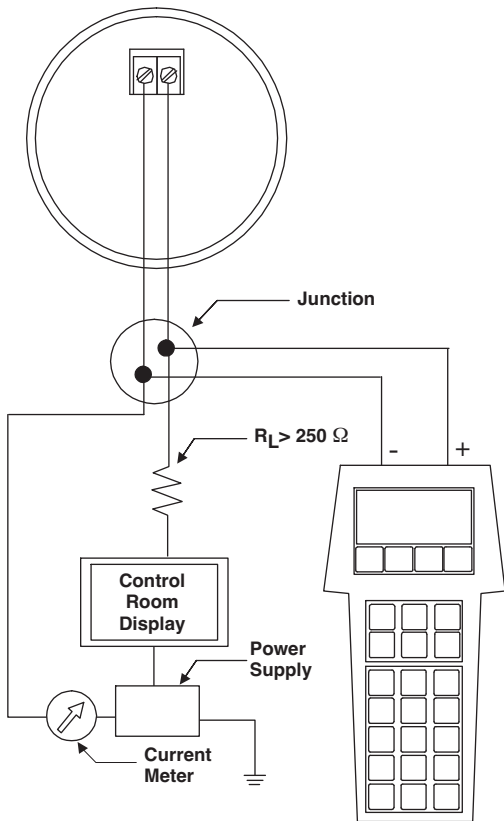


2.7 Configuration Using HART

A HART (Highway Addressable Remote Transducer) remote unit, such as a HART communicator, can be used to provide a communication link to the ECLIPSE Model 700 transmitter. When connected to the control loop, the same system measurement readings shown on the transmitter are also shown on the communicator. The communicator can also be used to configure the transmitter.

The HART communicator may need to be updated to include the ECLIPSE Model 700 software (Device Descriptions). Refer to your HART Communicator Manual for update instructions.

One can also access configuration parameters using PACTware and the Model 700 DTM, or using the AMS with EDDL.



2.7.1 Connections

A HART communicator can be operated from a remote location by connecting it to a remote junction or by connecting it directly to the terminal block in the wiring compartment of the ECLIPSE transmitter.

HART uses the Bell 202 frequency shift keying technique of high-frequency digital signals. It operates on the 4–20 mA loop and requires 250 Ω load resistance. A typical connection between a communicator and the ECLIPSE transmitter is shown at left.

2.7.2 HART Communicator Display

A typical communicator display is an 8-line by 21-character LCD. When connected, the top line of each menu displays the model (Model 700) and its tag number or address. For detailed operating information, refer to the instruction manual provided with the HART communicator.

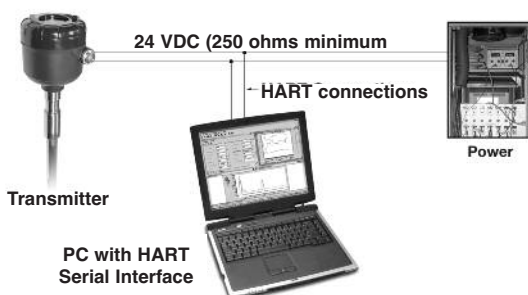
2.7.3 HART Revision Table

Model 700 1.x

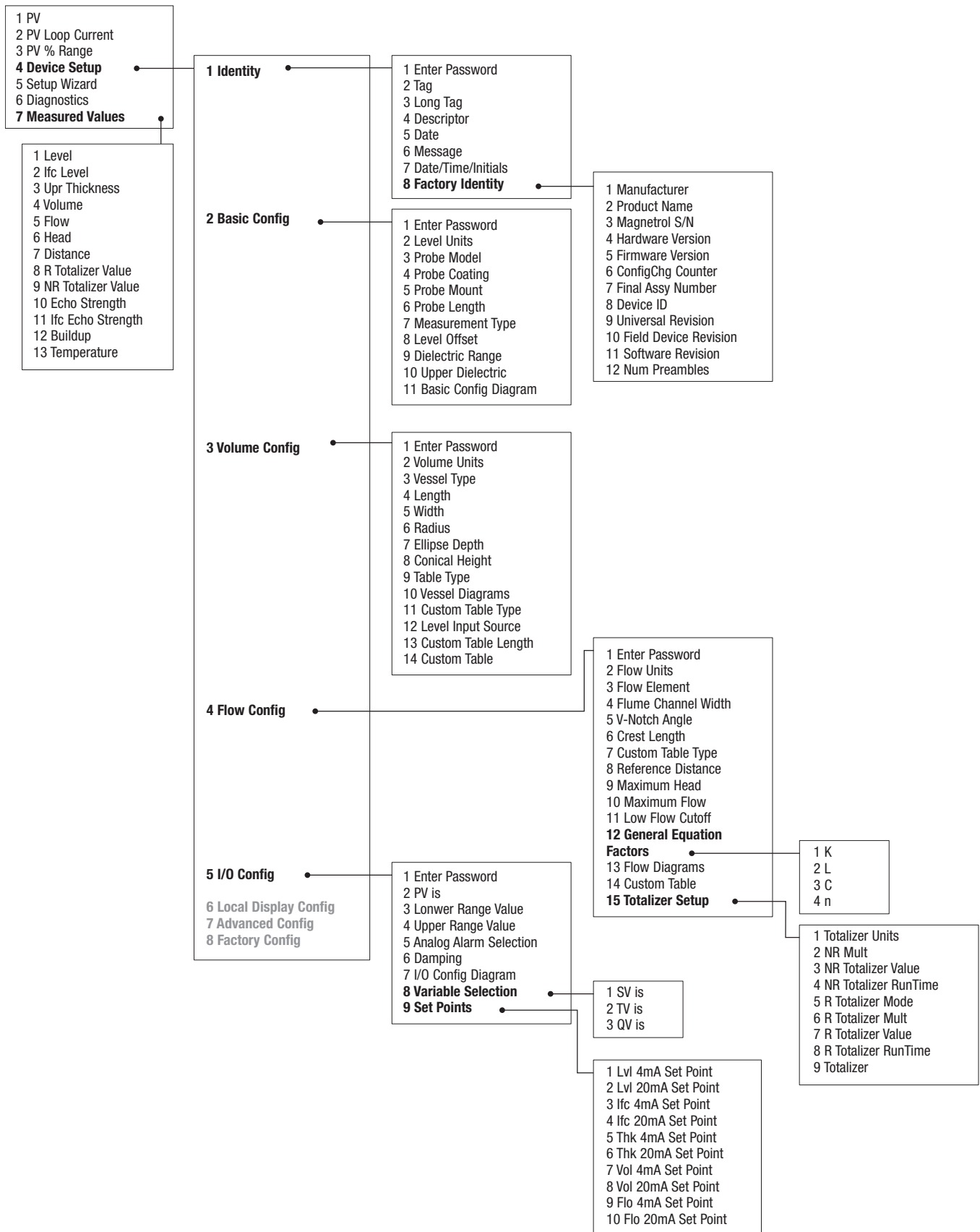
HART Version	HCF Release Date	Compatible with 700 Software
Dev Rev 1, DD Rev 1	October 2019	Version 1.0 and later

2.7.4 HART Menu – Model 700

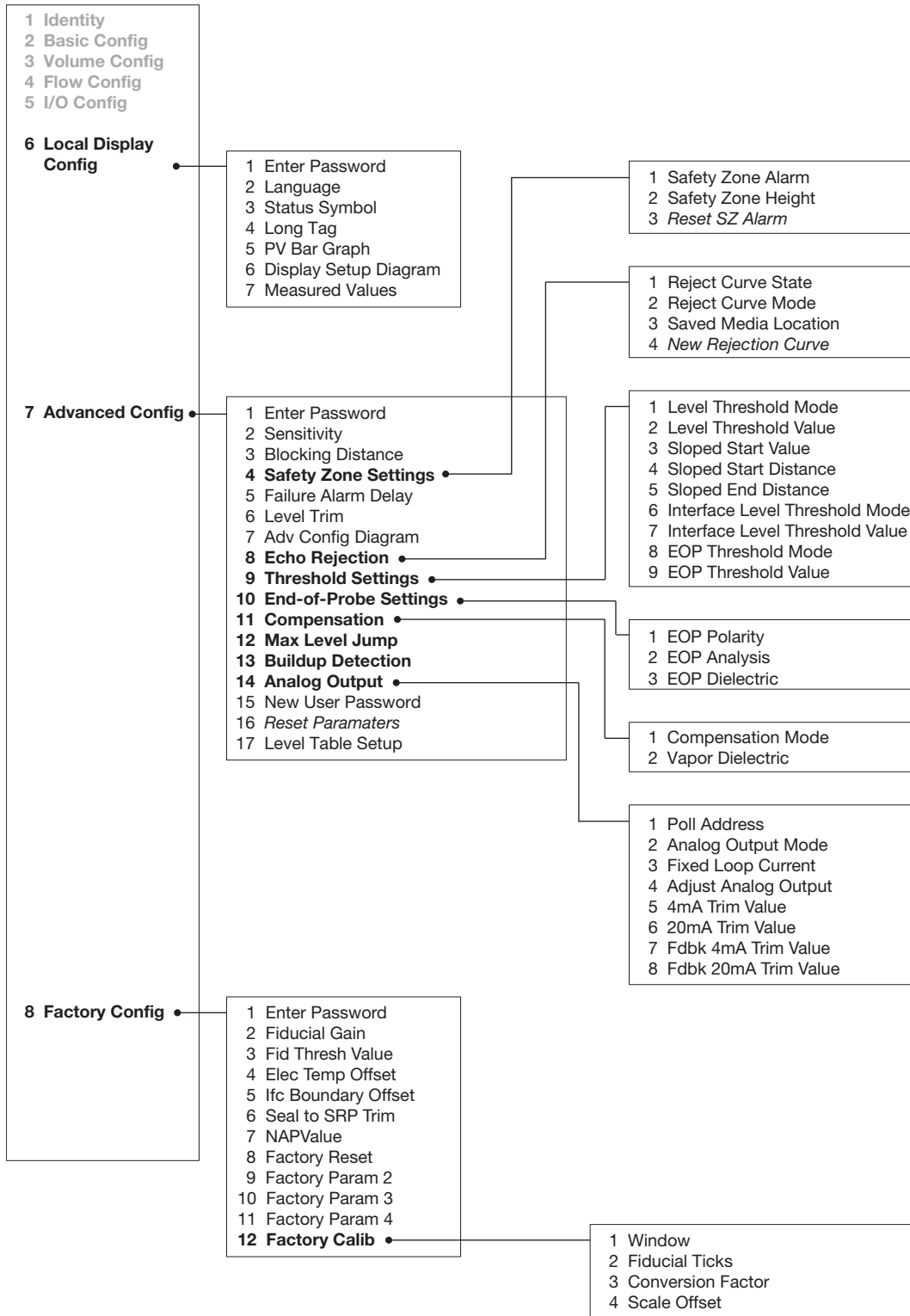
The ECLIPSE transmitter HART menu trees are shown in the following pages. Open the menu by pressing the alphanumeric key 4, then Device Setup, to display the second-level menu.



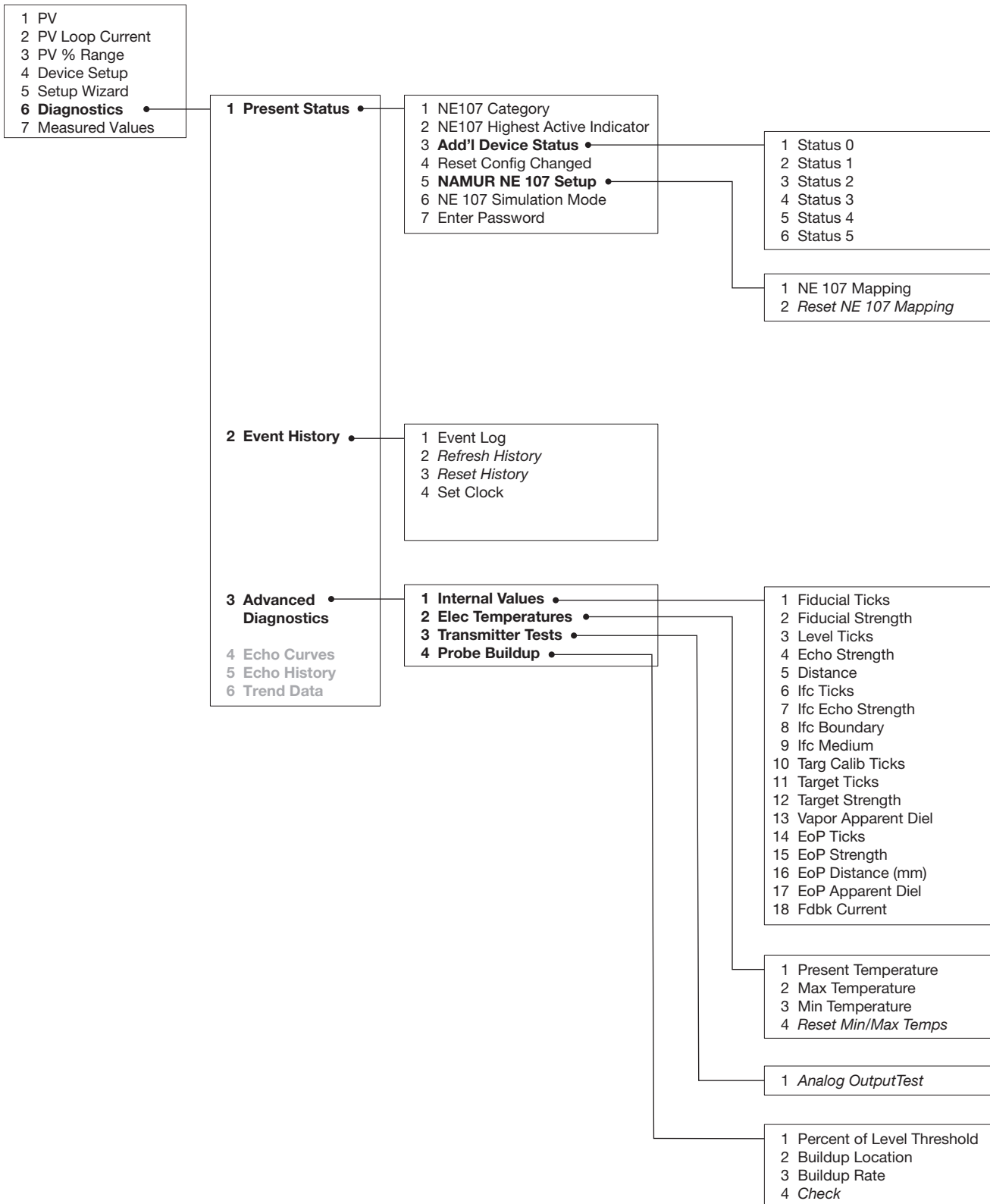
2.7.4 HART Menu – Model 700



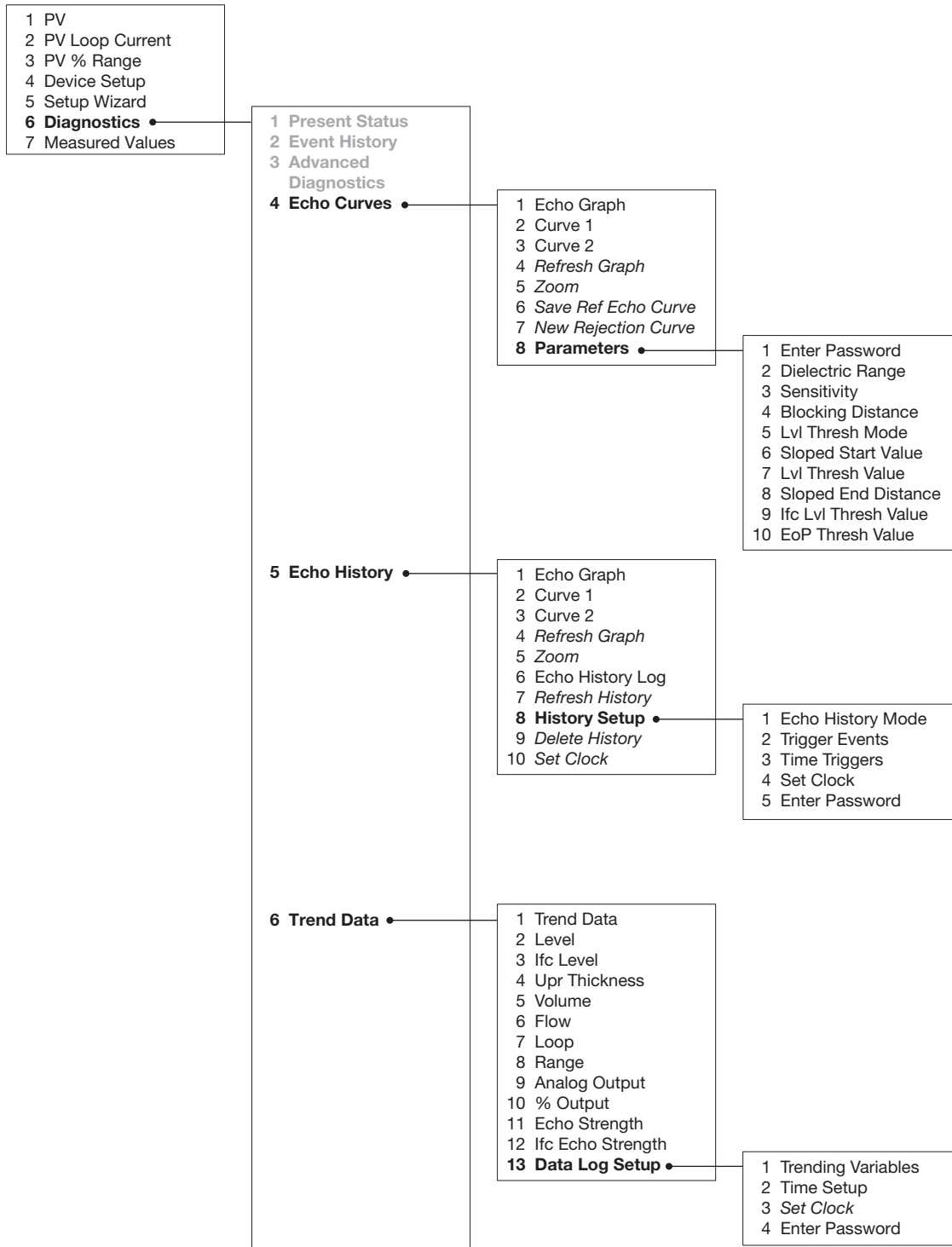
2.7.4 HART Menu – Model 700



2.7.4 HART Menu – Model 700



2.7.4 HART Menu – Model 700



3.0 Reference Information

This section presents an overview of the operation of the ECLIPSE Model 700 Guided Wave Radar Level Transmitter, information on troubleshooting common problems, listings of agency approvals, lists of replacement and recommended spare parts, and detailed physical, functional, and performance specifications.

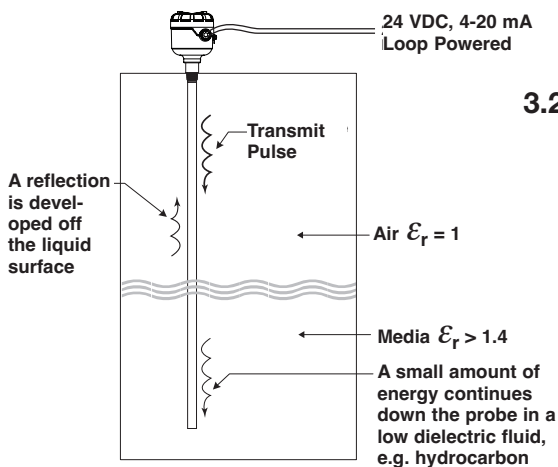
3.1 Transmitter Description

The ECLIPSE Model 700 is a loop-powered two-wire, 24 VDC, level transmitter based on the concept of Guided Wave Radar.

3.2 Theory of Operation

3.2.1 Guided Wave Radar

Guided Wave Radar (GWR) combines Time Domain Reflectometry (TDR), Equivalent Time Sampling (ETS) and modern low power circuitry. This synthesis of technologies brings to the level market a high-speed radar circuit (speed of light transmission). The electromagnetic pulses are propagated via a waveguide that yields a system many times more efficient than through-air radar.



3.2.2 Time Domain Reflectometry (TDR)

TDR uses pulses of electromagnetic (EM) energy to measure distances or levels. When a pulse reaches a dielectric discontinuity (created by the surface of a process medium), part of the energy is reflected. The larger the dielectric discontinuity, the larger the amplitude (strength) of the reflection.

Although TDR is relatively new to the industrial level measurement industry, it has been used for decades in the telephone, computer, and power transmission industries. In these industries, TDR is used to successfully find wire or cable breaks and shorts. An EM pulse is sent through the wire, traveling unimpeded until it finds line damage due to a break or short. A reflection is then returned from the damaged area of the wire, enabling a timing circuit to pinpoint the location.

In the ECLIPSE transmitter, a waveguide with a characteristic impedance in air is used as a probe. When part of the probe is immersed in a material other than air, there is lower impedance due to the fact that a liquid will have a higher dielectric constant than air. When an EM pulse is sent down the probe and meets the dielectric discontinuity that occurs at the air/liquid surface, a reflection is generated.

3.2.3 Equivalent Time Sampling (ETS)

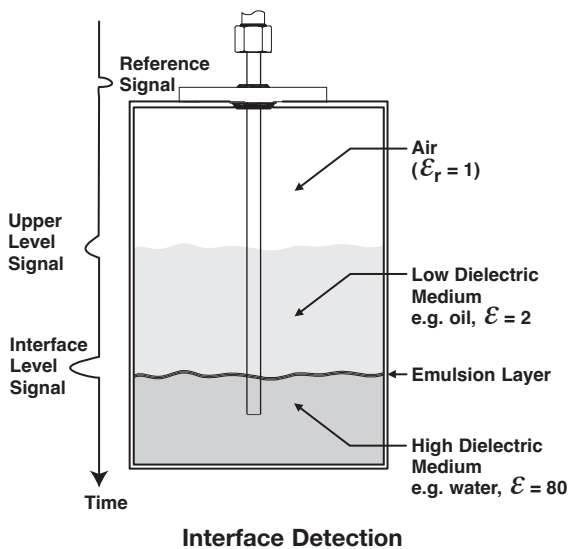
ETS (Equivalent Time Sampling) is used to measure the high speed, low power EM energy. ETS is a critical key in the application of TDR to vessel level measurement technology. The high speed EM energy (305 m/s (1000 ft/s)) is difficult to measure over short distances and at the resolution required in the process industry. ETS captures the EM signals in real time (nanoseconds) and reconstructs them in equivalent time (milliseconds), which is much easier to measure with today's technology.

ETS is accomplished by scanning the waveguide to collect thousands of samples. Approximately five scans are taken per second; each scan gathers more than 50,000 samples.

3.2.4 Interface Detection

The ECLIPSE Model 700, when used with the appropriate probes, is a transmitter capable of measuring both an upper level and an interface level. It is required that the upper liquid have a dielectric constant between 1.4 and 10 and the two liquids have a difference in dielectric constants greater than 10. A typical application would be oil over water, with the upper layer of oil being non-conductive with a dielectric constant of approximately 2 and the lower layer of water being very conductive with a dielectric constant of approximately 80. This interface measurement can only be accomplished when the dielectric constant of the upper medium is lower than the dielectric constant of the lower medium.

As mentioned above, ECLIPSE Guided Wave Radar is based upon the technology of TDR, which utilizes pulses of electromagnetic energy transmitted down a wave guide (probe). When the transmitted pulse reaches a liquid surface that has a higher dielectric constant than the air (dielectric constant of 1) in which it is traveling, the pulse is reflected and ultra high speed timing circuitry provides an accurate measure of liquid level. Even after some of the pulse is reflected from the upper surface, energy continues down the length of the probe through the upper liquid. The pulse is again reflected when it reaches the higher dielectric lower liquid (refer to figure at left). Since the propagation speed of the signal through the upper liquid is dependent on the dielectric



constant of the medium in which it is traveling, the dielectric constant of the upper liquid must be known to accurately determine the interface level.

The thickness of the upper layer can be determined by knowing the time between the first and second reflections as well as the upper layer dielectric constant.

In order to properly process the reflected signals, the Model 700 is specified for those applications where the thickness of the upper layer is greater than 5 cm (2 inches). The maximum upper layer is typically limited to the length of the probe.

Emulsion Layers

As emulsion (rag) layers can decrease the strength of the reflected signal, GWR offers best performance in applications having clean, distinct layers. However, the ECLIPSE Model 700 transmitter will operate in most emulsions and tend to read the top of the emulsion layer. Contact the factory for application assistance and questions regarding emulsion layers.

3.2.5 Overfill Capability

Although agencies like WHG or VLAREM certify Overfill proof protection, defined as the tested, reliable operation when the transmitter is used as overfill alarm, it is assumed in their analysis that the installation is designed in such a way that the vessel or side mounted cage cannot physically overfill.

However, there are practical applications where a GWR probe can be completely flooded with level all the way up to the process connection (face of the flange). Although the affected areas are application dependent, typical GWR probes have a transition zone (or possibly dead zone) at the top of the probe where interacting signals can either affect the linearity of the measurement or, more dramatically, result in a complete loss of signal.

While some manufacturers of GWR transmitters may use special algorithms to “infer” level measurement when this undesirable signal interaction occurs and the actual level signal is lost, the ECLIPSE Model 700 offers a unique solution by utilizing a concept called Overfill-Safe Operation.

An Overfill-safe probe is defined by the fact that it has a predictable and uniform characteristic impedance all the way down the entire length of the waveguide (probe). These probes allow the ECLIPSE Model 700 to measure accurate levels up to the process flange without any non-measurable zone at the top of the GWR probe.

Overfill-safe GWR probes are unique to ECLIPSE GWR, and coaxial probes can be installed at any location on the vessel. Overfill-safe probes are offered in a variety of coaxial designs.

3.3 Troubleshooting and Diagnostics

The ECLIPSE Model 700 transmitter is designed and engineered for trouble-free operation over a wide range of operating conditions. The transmitter continuously runs a series of internal self-tests and displays helpful messages on the large graphic liquid crystal display (LCD) when attention is required.

The combination of these internal tests and diagnostics messages offer a valuable proactive method of troubleshooting. The device not only tells the user what is wrong, but also, and more importantly, offers suggestions on how to solve the problem.

All of this information can be obtained directly from the transmitter on the LCD, or remotely by using a HART communicator or PACTware and the ECLIPSE Model 700 DTM.

PACTware™ PC Program

The ECLIPSE Model 700 offers the ability to perform more advanced diagnostics such as Trending and Echo Curve analysis using PACTware and a DTM. This is a powerful troubleshooting tool that can aid in the resolution of any diagnostic indicators that may appear.

Refer to section 4.0 “Advanced Configuration/ Troubleshooting Techniques” for additional information.

3.3.1 Diagnostics (Namur NE 107)

The ECLIPSE Model 700 transmitter includes an extensive list of Diagnostic Indicators which follow the NAMUR NE 107 guidelines.

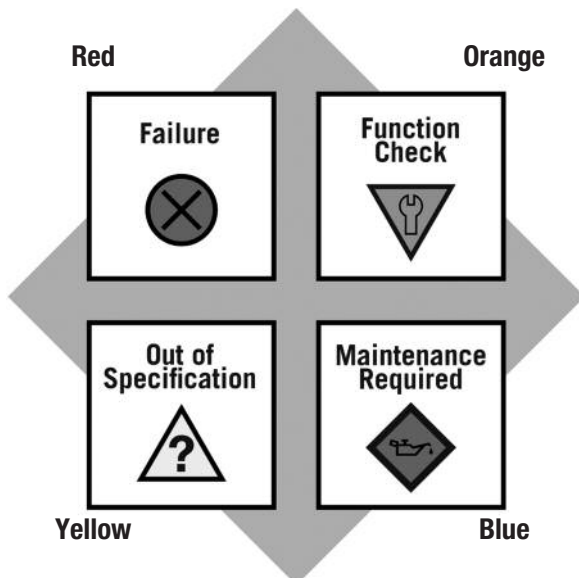
NAMUR is an international user association of automation technology in process industries, whose goal is to promote the interest of the process industry by pooling experiences among its member companies. In doing so, this group promotes international standards for devices, systems, and technologies.

The objective of NAMUR NE 107 was essentially to make maintenance more efficient by standardizing diagnostics information from field devices. This was initially integrated via FOUNDATION Fieldbus™, but the concept applies regardless of the communication protocol.

According to the NAMUR NE 107 recommendation, "Self Monitoring and Diagnosis of Field Devices," fieldbus diagnostic results should be reliable and viewed in the context of a given application. The document recommends categorizing internal diagnostics into four standard status signals:

- Failure
- Function Check
- Out of Specification
- Maintenance required

These categories are shown by both symbols and colors, depending on the display capability.



In essence, this approach ensures that the right diagnostic information is available to the right person-at the right time. In addition, it allows diagnostics to be applied, as most appropriate, for a particular plant application (such as process control engineering or asset management maintenance). Customer specific mapping of diagnostics to these categories allows for flexible configuration depending on the user's requirements.

From an external Model 700 transmitter perspective, diagnostic information includes measurement of process conditions, in addition to detection of internal device or system anomalies.

As mentioned above, the indicators can be assignable (via the DTM or host system) by the user to any (or none) of the NAMUR recommended Status Signal categories: Failure, Function Check, Out of Specification, and Maintenance Required.

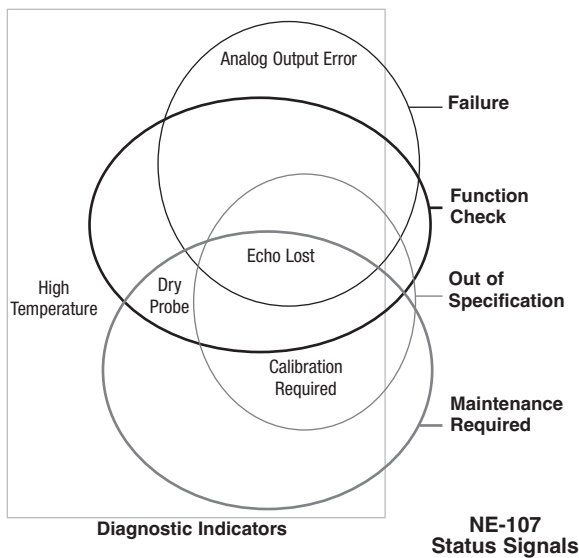
Diagnostic indicators can be mapped to multiple categories, an example is shown in the diagram at left.

In this example, "Calibration Required" is mapped to both the Out of Specification and Maintenance Required status signals, and the diagnostic indicator named "High Temperature" is mapped to none of the signals.

Indicators that are mapped to the Failure category will normally result in a current loop alarm output. The alarm state for HART transmitters is configurable as high (22 mA), Low (3.6 mA), or Hold (last value).

Users will not have the ability to unassign certain indicators from the Failure signal category as the Model 700 user interfaces will prohibit or reject such re-assignment entries). This is to ensure that current loop alarms are asserted in situations where the device is not able to provide measurements due to critical failures. (For example, if the alarm selection has not been set to Hold, or a fixed current mode is in effect.)

A default mapping of all diagnostic indicators will be applied initially, and can be re-applied through use of a reset function.



Refer to the table below for a complete listing of the Model 700 diagnostic indicators, along with their explanations, default categories, and recommended remedies.

- NOTES:
- 1) The remedies shown in this table can also be seen on the transmitter LCD by viewing the present status screen when the device is in a diagnostic condition.
 - 2) Those indicators showing failure as the default result in an alarm condition.

3.3.2 Diagnostic Indication Simulation

The DD and DTM allow for the ability to manipulate diagnostic indicators. Intended as a means to verify the configuration of the diagnostic parameters and connected equipment, a user can manually change any indicator to and from the active state.

3.3.3 Diagnostic Indicator Table

Below is a listing of the Model 700 diagnostic indicators, showing their priority, explanations and recommended remedies. (Priority 1 is highest priority.)

Priority	Indicator Name	Default Category	Explanation	Remedy (Context Sensitive Help)
1	Software Error	Failure	Unrecoverable error occurred in stored program.	Contact MAGNETROL Technical Support.
2	RAM Error	Failure	RAM (read/write) memory failing.	
3	ADC Error	Failure	Analog-to-digital converter failure.	
4	EEPROM Error	Failure	Non-volatile parameter storage failing.	
5	Analog Board Error	Failure	Unrecoverable hardware failure.	
6	Analog Output Error	Failure	Actual loop current deviates from commanded value. Analog output is inaccurate.	Perform Adjust Analog Output maintenance procedure.
7	Spare Indicator 1	OK	Reserved for future use.	
8	Default Parameters		Saved parameters are set to default values.	Perform complete Device Configuration.
9	No Probe	Failure	No Probe Connected.	Contact Magnetrol Technical Support
10	No Fiducial	Failure	Reference signal too weak to detect.	Torque HF nut. Clean gold pin on transmitter and socket on probe. Check settings: Fiducial Gain Window Increase Fid Gain. Contact MAGNETROL Technical Support.

3.3.3 Diagnostic Indicator Table

Priority	Indicator Name	Default Category	Explanation	Remedy
11	No Echoes	Failure	No signal detected anywhere on probe.	Check settings: Dielectric Range Sensitivity EoP Thresh Value Increase Sensitivity. Lower EoP Thresh. View Echo Curve.
12	Upr Echo Lost	Failure	Signal from upper liquid too weak to detect.	Check settings: Upper Dielectric, Blocking Distance, Sensitivity Ensure Upr Level is below blocking distance. View Echo Curve.
13	Spare Indicator 2	OK	Reserved for future use.	
14	EoP Above ProbeEnd	Failure	End of Probe appears above Probe Length	Check settings: Probe Length Decrease Sensitivity Increase Blocking Distance View Echo Curve.
15	Lvl Below ProbeEnd	Failure	Level signal appears beyond Probe Length. (Possible water bottom situation)	Check settings: Probe Model, Probe Length, Level Threshold = Fixed Increase Sensitivity View Echo Curve.
16	EoP Below ProbeEnd	Failure	End of Probe appears beyond Probe Length.	Check settings: Probe Length Dielectric Range Sensitivity View Echo Curve.
17	Safety Zone Alarm	Failure	Risk of echo loss if liquid rises above Blocking Distance.	Ensure that liquid cannot reach Blocking Distance.
18	Config Conflict	Failure	Measurement type and primary variable selection parameters are inconsistent.	Confirm proper configuration. Check Measurement Type.
19	High Volume Alarm	Failure	Volume calculated from Level reading exceeds capacity of vessel or custom table.	Check settings: Vessel Dimensions, Custom Table entries
20	High Flow Alarm	Failure	Flow calculated from Distance reading exceeds capacity of flow element or custom table.	Check settings: Flow Element Reference Distance Gen Eqn Factors Custom Table entries
21	Spare Indicator 3	OK	Reserved for future use	
22	Initializing	Function Check	Distance measurement is inaccurate while internal filters are settling.	Standard start-up message. Wait for up to 10 seconds.
23	Analog Output Fixed	Function Check	Loop current not following PV. May be caused by existing alarm condition, ongoing Loop Test or Trim Loop operations.	If unexpected, check Loop Current Mode. Ensure device is not in Loop Test.
24	Config Changed	Function Check	A parameter has been modified from the User Interface.	If desired, reset Config Changed indicator in ADVANCED CONFIG menu.
25	Spare Indicator 4	OK	Reserved for future use.	
26	Spare Indicator 5	OK	Reserved for future use.	

3.3.3 Diagnostic Indicator Table

Priority	Indicator Name	Default Category	Explanation	Remedy
27	Spare Indicator 6	OK	Reserved for future use.	
28	Ramp Interval Error	Out of Spec	Internal signal timing out of limits causing inaccurate distance measurement.	Check accuracy of Level reading. Replace transmitter electronics. Contact Magnetrol Technical Support.
29	High Elec Temp	Out of Spec	Electronics too hot. May compromise level measurement or damage instrument.	Shield transmitter from heat source or increase air circulation. Locate transmitter remotely in a cooler area.
30	Low Elec Temp	Out of Spec	Electronics too cold. May compromise level measurement or damage instrument.	Insulate transmitter. Locate transmitter remotely in a warmer area.
31	Calibration Req'd	Out of Spec	Factory calibration has been lost. Measurement accuracy may be diminished.	Return transmitter to factory for recalibration.
32	Echo Reject Invalid	Out of Spec	Echo Rejection inoperative. May report erroneous Level readings. Upr Echo may be lost near top of probe.	Save a fresh Echo Rejection Curve.
33	Spare Indicator 7	OK	Reserved for future use.	
34	Inferred Level	Out of Spec	Distance measurement calculated indirectly from probe elongation. Level reading is only approximate.	Verify Level reading. If incorrect, compare Dielectric Range against EoP Dielectric reading.
35	Adjust Analog Out	Out of Spec	Loop current is inaccurate.	Perform Adjust Analog Output maintenance procedure.
36	Totalizer Data Lost	Out of Spec	Non-volatile Totalizer Data storage failing.	Contact MAGNETROL Technical Support.
37	Low Supply Voltage	Out of Spec	Loop current may be incorrect at higher values. Analog output is inaccurate.	Verify loop resistance. Replace loop power supply.
38	Dry Probe	OK	No liquid is contacting probe. Level at unknown distance beyond probe.	If unexpected, verify proper probe length for application.
39	Low Echo Strength	Maintenance Required	Risk of Echo Lost due to weak signal.	Check settings: Dielectric Range Sensitivity View Echo Curve.
40	Low Ifc Echo Str	Maintenance Required	Risk of Interface Echo Lost due to weak signal.	Check settings: Dielectric Range Sensitivity View Ifc Echo Curve.
41	Max Jump Exceeded	Maintenance Required	Transmitter has jumped to an echo at location that exceeds "Max Level Jump" from previous echo location.	Check settings: Dielectric Range Sensitivity View Echo Curve.
42	Spare Indicator 10	OK	Reserved for future use.	
43	Sequence Record	OK	A Sequence Record number has been stored in Event Log.	If desired, report Sequence Record number to factory.

The ECLIPSE Model 700 offers the ability to do Trending and Echo Curve analysis via the local graphical LCD or by using PACTware and the Model 700 DTM. The Model 700 DTM is a power troubleshooting tool that can aid in the resolution of some of the Diagnostic Indicators shown above.

3.3.4 Diagnostic Help

Selecting **DIAGNOSTICS** from the **MAIN MENU** presents a list of **ITEMS** from the top level of the **DIAGNOSTICS** tree.

When **Present Status** is highlighted, the highest **MAGNETROL** priority active diagnostic indicator (numerically lowest in Table 3.3.3) is displayed on the bottom LCD line, which is “OK” as shown at left. Pressing the **ENTER** key moves the active diagnostic indicator to the top line outdented and presents in the lower area of the LCD a brief explanation of and possible remedies for the indicated condition. A blank line separates the explanation from the remedies. Additional active diagnostic indicators, if any, appear with their explanations in descending priority order. Each additional active indicator name-explanation pair is separated by a blank line from the one above.

If the explanation and remedy text (and additional name-explanation pairs) exceeds the available space, a ▼ appears in the rightmost column of the last line indicating more text below. In this situation, the **DN** key scrolls text up one line at a time. Similarly, while text exists above the upper line of the text field, a ▲ appears in the rightmost column of the top (text) line. In this situation, the **UP** key scrolls the text down one line at a time. Otherwise the **DN** and **UP** keys are inoperative. In all cases the **ENT** or **DEL** key reverts to the previous screen.

When the transmitter is operating normally and the highlight cursor is positioned on **Present Status**, the bottom LCD line displays “OK” because no diagnostic indicators are active.

EVENT HISTORY – This menu displays the parameters related to diagnostic event logging.

ADVANCED DIAGNOSTICS – This menu displays parameters related to some of the advanced diagnostics available within the Model 700.

INTERNAL VALUES – Displays read-only internal parameters.

ELEC TEMPERATURES – Displays temperature information as measured in the potted module in degrees C or F.

TRANSMITTER TESTS – Allows the user to manually set the output current to a constant value. This is a method for the user to verify operation of the other equipment in the loop.

ECHO CURVES – This menu allows the user to display the various Echo Curves on the LCD.



ECHO HISTORY SETUP – The Model 700 contains the unique and powerful feature that allows waveforms to be automatically captured based on Diagnostic Events, Time or both. This menu contains those parameters that configure that feature.

Twelve (12) waveforms can be saved directly into the transmitter.

- Nine (9) Troubleshooting Curves
- One (1) Reference Curve
- Two (2) Echo Rejection Curves

TREND DATA – A 15-minute trend of the PV can be displayed on the LCD.

3.3.5 Troubleshooting Application Issues ---

There can be numerous reasons for application-related issues. Media buildup on the probe is covered here.

Media buildup on the probe is typically not a problem in most cases — ECLIPSE circuitry works very effectively. Media buildup should be viewed as two types:

- Continuous Film Coating
- Bridging

Continuous Film Coating

One type of potential application problem is when the media forms a continuous coating on the probe. Although the ECLIPSE Model 700 will continue to measure effectively, some small inaccuracies may occur as the signal propagation is affected by the thickness, length, and dielectric constant of the coating.

It is a very rare case where filming causes a noticeable performance degradation.

Bridging

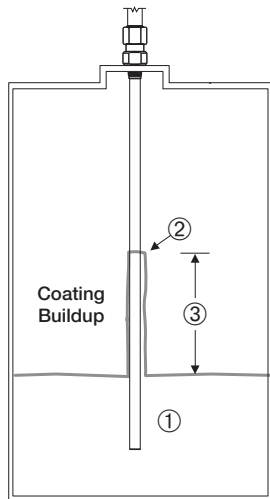
A more common coating problem occurs when the process medium is viscous or solid enough to actually clog, or bridge, between the elements. This bridging can cause a noticeable degradation in performance. For example, high dielectric media (e.g., water-based) can be detected as level at the location of the bridging.

Similarly, a problem can develop if the product begins to build up on the spacers that separate the coaxial probe elements. High dielectric media (e.g., water-based) will cause the greatest error.

Single rod GWR probes are typically the best probes for applications with potential buildup, but other factors in the application must be considered (such as mounting, sensitivity, etc). For this reason, the ECLIPSE Model 700 is offered with a variety of coaxial and single rod probes, so the correct probe can be used for the given application.

Refer to Section 3.6.3 for viscosity specifications on the various ECLIPSE probes.

Contact the factory for any questions regarding applications with potential coating and buildup.

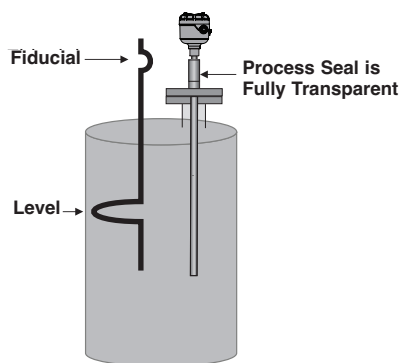


3.3.5.1 Model 700 (Single Rod Probe)

The Model 700 and Single Rod probe were designed to operate effectively in the presence of media building up. Some expected error may be generated based upon the following factors:

1. Dielectric of the media that created the coating
2. Thickness of the coating
3. Amount (length) of the coating above the present level

Although more immune to thick, viscous, buildup, performance of Single Rod GWR probes is always dependent on the installation and application. The electromagnetic field surrounding a single rod probe makes it more vulnerable to influence from objects in the vicinity of the probe.



Coaxial Probe

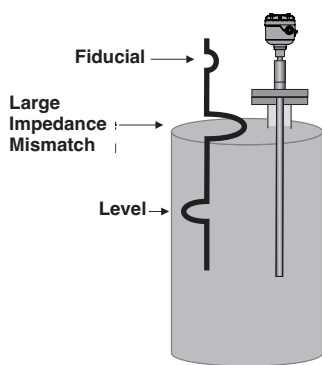
NOTE: It is important to note that this influence from the installation/application also depends on the configuration of the transmitter. Those devices configured with lower gain will be less affected by external objects.

Nozzles

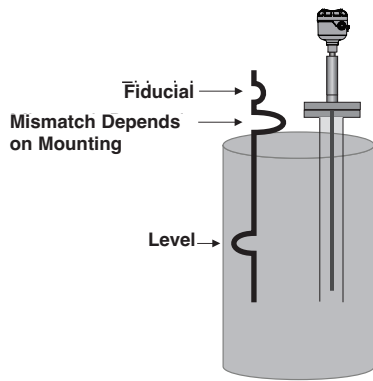
Due to the impedance mismatch that takes place at the end of a nozzle, they can create false echoes that can cause diagnostic indicators and/or errors in measurement.

As mentioned above, by virtue of the pure physics of the technology, all single rod GWR probes are influenced by the application and installation. Mismatches in impedance along the length of the probe, whether they be expected (liquid level) or unexpected (metal in close proximity), will result in reflections.

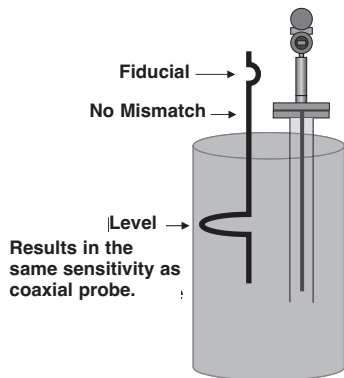
To better illustrate this, a comparison between a coaxial probe and single rod probe mounted in the same application is shown at left.



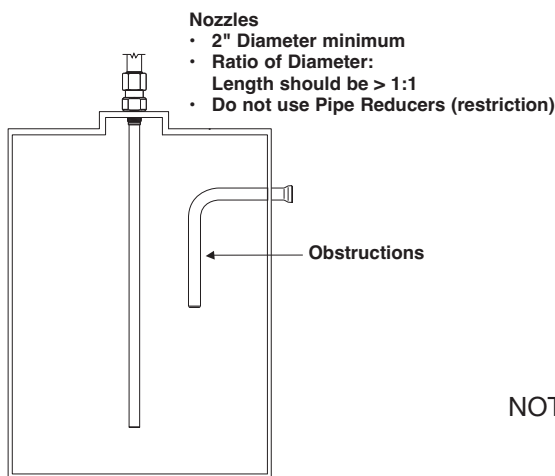
Standard Single Rod Probe



Single Rod Probe in a Stillwell



Model 706 Caged Probe
(waveform is similar to that of a coaxial probe)



Since the outer tube of the coaxial probe is grounded, there are no proximity affects and there is no influence from the nozzle. The only reflections along the length of the probe are expected. Those being the fiducial (reference signal) and the return signal from the process.

On the other hand, a single rod probe mounted in the exact same nozzle will have additional (unwanted) reflections where the probe enters and exits the nozzle. These reflections are a result of the impedance changes that occur at those points:

- The large reflection is due to the impedance developed between the rod and nozzle ID as compared to the impedance developed between the rod and the tank ID. (The larger the nozzle ID, the smaller the reflection).

One way to eliminate the reflection at the bottom of the nozzle is to use a continuous stillwell in conjunction with a caged GWR probe. In doing so, there will be no impedance changes throughout the length of the probe.

Refer to the premier Model 706 GWR transmitter (I/O Manual BE 57-606) for additional information on Caged probes.

Obstructions

Metallic obstructions in the vicinity of a single rod probe can also affect the performance. If the level reading repeatedly locks on to a specific level higher than the actual level, it may be caused by a metallic obstruction. Obstructions in the vessel (e.g., pipes, ladders) that are located close to the probe may cause the instrument to show them as level.

Refer to the Probe Clearance Table for recommended clearance distances. The distances shown in this table can be dramatically reduced by utilizing the Echo Rejection feature. This feature is accessible within the transmitter or with the ECLIPSE Model 700 DTM. Refer to section 4.3.

NOTE: Use caution when rejecting large positive going signals as the amplitude of the negative going level signal can be reduced when passing through them.

PROBE CLEARANCE TABLE

Distance to Probe	Acceptable Objects
<15 cm (6")	Continuous, smooth, parallel conductive surface, for example a metal tank wall; important that probe does not touch wall
>15 cm (6")	<25mm (1") diameter pipe and beams, ladder rungs
>30 cm (12")	<75mm (3") diameter pipe and beams, concrete walls
>46 cm (18")	All remaining objects

3.4 Configuration Information

This section is intended to offer additional configuration-related details with respect to some of the parameters shown in the Menu in Section 2.6.5.

3.4.1 Level Offset Description

The parameter referred to as Level Offset in the ECLIPSE Model 700 DEVICE SETUP/BASIC CONFIG menu is defined as the desired level reading when liquid surface is at the tip of the probe.

The ECLIPSE Model 700 transmitter is shipped from the factory with Level Offset set to 0. With this configuration, all measurements are referenced from the bottom of the probe. See Example 1.

Example 1 (Level Offset = 0 as shipped from factory):

Application calls for a 90-cm Model 7zT coaxial probe with an NPT process connection. The process medium is water with the bottom of the probe 10 inches above the bottom of the tank.

The user wants the 4 mA Set Point (LRV) at 24 cm and the 20 mA Set Point (URV) at 60 cm as **referenced from the bottom of the probe**.

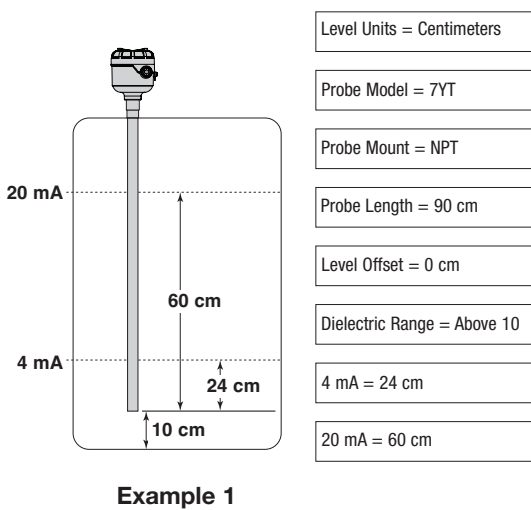
In those applications in which it is desired to reference all measurements from the bottom of the vessel, the value of Level Offset should be changed to the distance between the bottom of the probe and the bottom of the vessel as shown in Example 2.

Example 2:

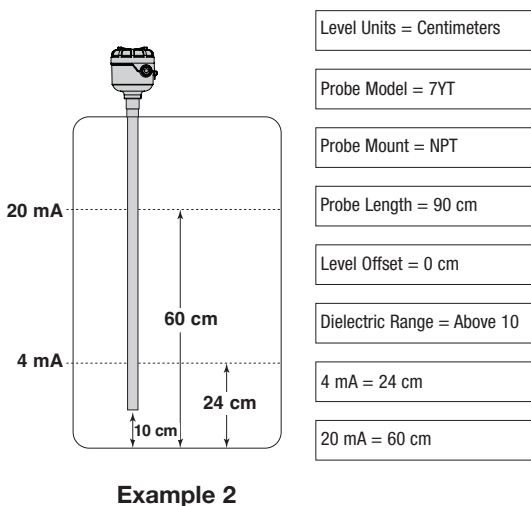
Application calls for a 90-cm Model 7zT coaxial probe with an NPT process connection. The process medium is water with the bottom of the probe 10 inches above the bottom of the tank.

The user wants the 4 mA Set Point (LRV) at 24 cm and the 20 mA Set Point (URV) at 60 cm as **referenced from the bottom of the tank**.

When the ECLIPSE transmitter is mounted in a chamber/bridle, it is usually desirable to configure the unit with the 4 mA Set Point (LRV) at the lower process connection and the 20 mA Set Point (URV) at the upper process connection. The measuring range then becomes the center-to-center dimension. In this case, a negative Level Offset needs to be entered. In doing so, all measurements are then referenced at a point up on the probe, as shown in Example 3.



Example 1

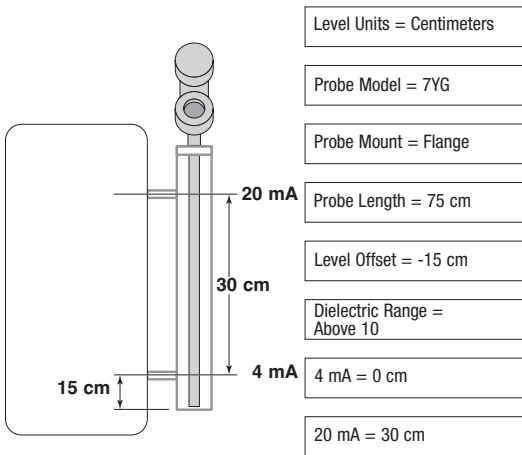


Example 2

Example 3:

Application calls for a 48-inch Model 7zT coaxial flanged probe measuring water in a chamber with the bottom of the probe extending six inches below the lower process connection. The user wants the 4 mA point to be 0 inches at the bottom process connection and the 20 mA point to be 30 inches at the top process connection.

3.4.2 End-of-Probe Analysis



Example 3

A unique feature offered by the Model 700 ECLIPSE transmitter is a feature called End-of-Probe Analysis (EoPA).

Located in the DEVICE SETUP/ADVANCED CONFIG Menu, this feature is patterned after the “Tank-Bottom Following” algorithms of the early Non-Contact radar transmitters. When the return signal from the level is lost, this feature allows the Model 700 transmitter to infer level measurement based on the apparent location of the end-of-probe (EoP) signal.

Due to the fact that the propagation of the GWR signal is affected by the dielectric constant of the medium in which it is traveling, signals along the probe are delayed in proportion to the dielectric constant. By monitoring the location of the (delayed) EoP signal and knowing the dielectric constant of the medium, the level signal can be back-calculated, or inferred.

The End-of-Probe Analysis feature is located in the Advanced Config menu and requires an Advanced Password to activate. Several additional parameters will need to be configured for optimum performance.

NOTE: The accuracy of this level measurement mode is not that of detecting true product level, and can vary depending on the process. MAGNETROL recommends that this feature be used only as last resort for measuring levels in those rare applications in which the level signals are inadequate, even after the common troubleshooting techniques of gain increase and threshold adjustment are implemented.

Refer to Section 4.0 “Advanced Configuration/Troubleshooting Techniques” or contact MAGNETROL Technical Support for additional instructions.

3.4.3 Echo Rejection

Due to the fact that GWR transmitters are less susceptible to obstructions in a vessel (as compared with Non-Contact Radar transmitters), early versions of the ECLIPSE transmitters did not have Echo Rejection capability.

However, due to our vast experience in the field, we have found that there are (albeit rare) occasions when it is desirable to have the ability to “ignore” unwanted signals along the probe.

The Model 700 transmitter Echo Rejection feature is located in the DEVICE SETUP/ADVANCED CONFIG menu, and requires an Advanced Password to activate. It is highly recommended that this feature be used with the waveform capture capability of the Model 700 DTM and PACT^{ware}™.

Refer to Section 4 “Advanced Configuration/Troubleshooting Techniques” or contact MAGNETROL Technical Support for additional instructions.

3.4.4 Volumetric Capability

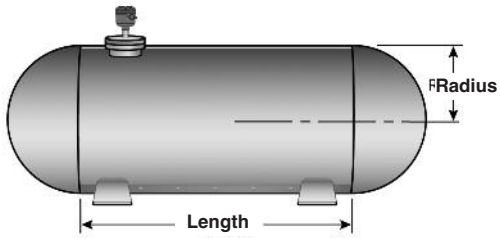
Selecting Measurement Type = Volume and Level allows the Model 700 transmitter to measure volume as the Primary Measured Value.

3.4.4.1 Configuration using built-in Vessel Types

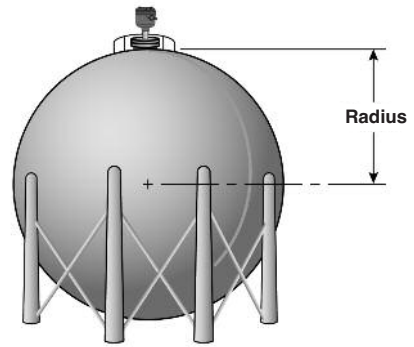
The following table provides an explanation of each of the System Configuration parameters required for volume applications that use one of the nine Vessel Types.

Configuration Parameter	Explanation
Volume Units	A selection of Gallons (factory default Volume Unit), Milliliters, Liters, Cubic Feet, or Cubic Inches, is provided.
Vessel Type	Select either Vertical/Flat (factory default Vessel Type), Vertical/Elliptical, Vertical/Spherical, Vertical/Conical, Custom Table, Rectangular, Horizontal/Flat, Horizontal/Elliptical, Horizontal/Spherical, or Spherical. Note: Vessel Dims is the next screen only if a specific Vessel Type was selected. If Custom Table was selected. Refer to page 53 to select the Cust Table Type and Cust Table Vals.
Vessel Dims	See the vessel drawings on the following page for relevant measuring areas.
Radius	Used for all Vessel Types with the exception of Rectangular.
Ellipse Depth	Used for Horizontal and Vertical/Elliptical vessels.
Conical Height	Used for Vertical/Conical vessels.
Width	Used for Rectangular vessels.
Length	Used for Rectangular and Horizontal vessels.

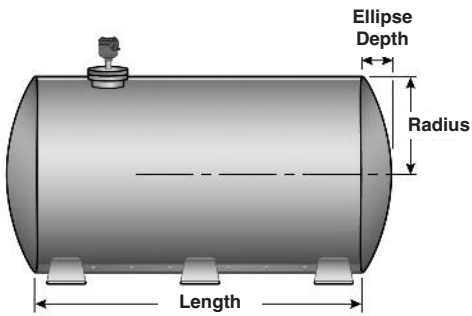
Vessel Types



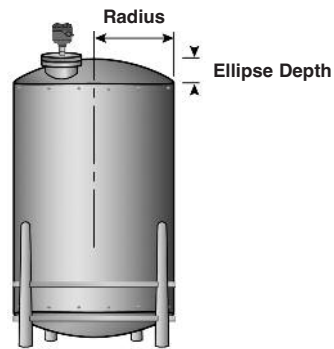
HORIZONTAL/SPHERICAL



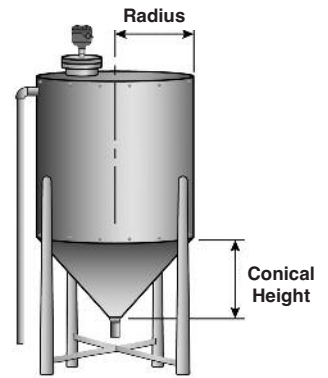
SPHERICAL



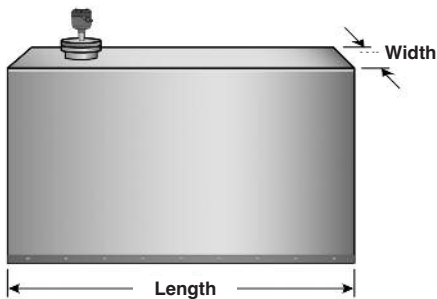
HORIZONTAL/ELLIPTICAL



VERTICAL/ELLIPTICAL



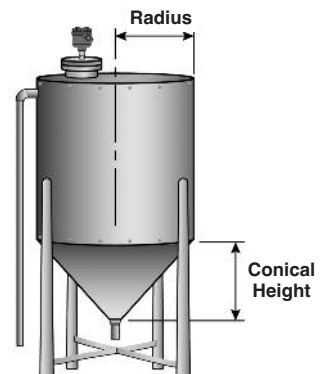
VERTICAL/SPHERICAL



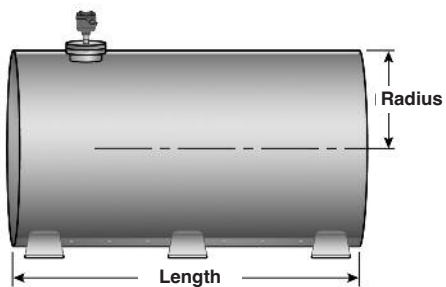
RECTANGULAR



VERTICAL/FLAT



VERTICAL/CONICAL



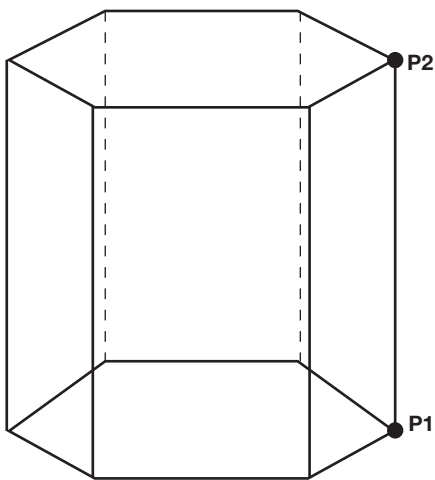
HORIZONTAL/FLAT

3.4.4.2 Configuration using Custom Table

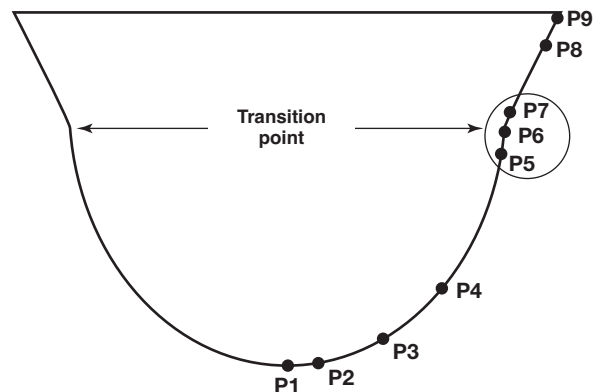
If none of the nine *Vessel Types* shown can be used, a *Custom Table* can be created. A maximum of 30 points can be used to establish the level to volume relationship. The following table provides an explanation of each of the System Configuration parameters for volume applications where a Custom Table is needed.

Configuration Parameter	Explanation (Custom Volumetric Table)
Volume Units	A selection of Gallons (factory default <i>Volume Unit</i>), Milliliters , Liters , Cubic Feet , or Cubic Inches , is provided.
Vessel Type	Select Custom Table if none of the nine <i>Vessel Types</i> can be used.
Cust Table Type	The <i>Custom Table</i> points can be a Linear (straight line between adjacent points) or Spline (can be a curved line between points) relationship. See below drawing for more information.
Cust Table Vals	A maximum of 30 points can be used in building the <i>Custom Table</i> . Each pair of values will have a level (height) in the units chosen in the <i>Level Units</i> screen, and the associated volume for that level point. The values must be monotonic, i.e. each pair of values must be greater than the previous level/volume pair. The last pair of values should have the highest level value and volume value associated with the level in the vessel.

A maximum of 30 points can be used in building the *Custom Table*. Each pair of values will have a level (height) in the units chosen in the *Level Units* screen, and the associated volume for that level point. The values must be monotonic, i.e. each pair of values must be greater than the previous level/volume pair. The last pair of values should have the highest level value and volume value associated with the level in the vessel.



LINEAR



Use where walls are not perpendicular to base.

Concentrate at least two points at beginning (P1) and end (P9); and three points at either side of transition points.

SPLINE

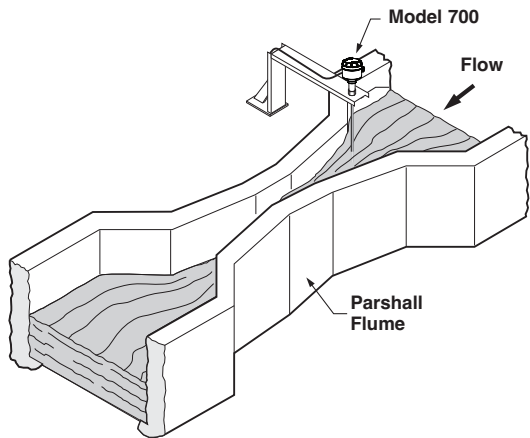
3.4.5 Open Channel Flow Capability

Selecting Measurement Type = Flow allows the Model 700 transmitter to measure flow as the Primary Measured Value.

Open channel flow is performed by using the ECLIPSE Model 700 to measure the Head in a hydraulic structure. The hydraulic structure is the primary measuring element, of which the two most common types are weirs and flumes.

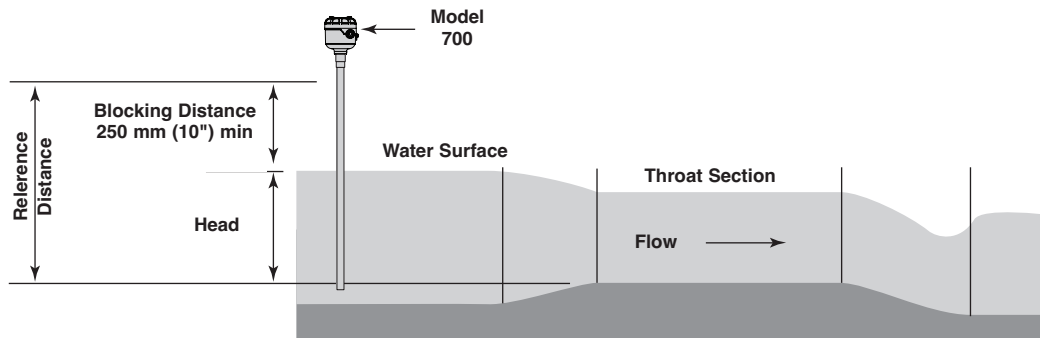
Since the primary element has a defined shape and dimensions, the rate of flow through the flume or over the weir is related to the Head at a specified measurement location.

The ECLIPSE Model 700 is the secondary measuring device, which measures the Head of the liquid in the flume or weir. Open channel flow equations stored in the transmitter firmware convert the measured Head into units of flow (volume/time).

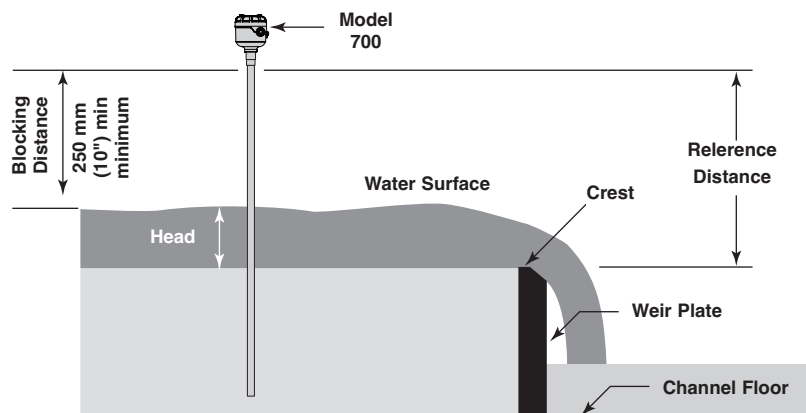


Open Channel Flow Measurement
Parshall Flume

NOTE: Proper positioning of the Model 700 should be per the recommendation of the flume or weir manufacturer.



Flume (side view)



Weir (side view)

3.4.5.1 Configuration using Flume/Weir Equations

The following table provides an explanation of each of the System Configuration parameters required for open channel flow applications using one of the Flow Elements that are stored in the firmware.

Configuration Parameter	Explanation
Flow Units	A selection of Gallons/Minute (factory default <i>Flow Unit</i>), Gallons/Hour , Mil Gallons/Day , Liters/Second , Liters/Minute , Liters/Hour , Cubic Meter/Hour , Cubic Ft/Second , Cubic Ft/Minute , and Cubic Ft/Hour are provided.
Flow Element	Select one of the following primary <i>Flow Elements</i> that are stored in the firmware: Parshall flume sizes of 1", 2", 3", 6", 9", 12", 18", 24", 36", 48", 60", 72", 96", 120" and 144" . Palmer-Bwls (Palmer-Bowlus) flume sizes of 4", 6", 8", 10", 12", 15", 18", 21", 24", 27" and 30" . V-notch weir sizes of 22.5°, 30°, 45°, 60°, 90° and 120° . Rect with Ends (Rectangular Weir with End Contractions), Rect w/o Ends (Rectangular Weir without End Contractions), and Cipoletti weir. Custom Table (see page 57 can be selected if none of the stored <i>Flow Elements</i> can be used. The table can be built with a maximum of 30 points. The Model 700 also has the capability of using a Generic Equation (see page 56) for flow calculation.
Weir Crest Length	The <i>Weir Crest Length</i> screen only appears when the chosen <i>Flow Element</i> is Cipoletti or one of the <i>Rectangular</i> weirs. Input this length in the user-selected level units.
Flume Channel Width	Allows for entry of the width of the palmer bowlus flume.
V-Notch Weir Angle	Only appears when flow element is V-Notch weir. It allows for the entry of angle of the V-Notch weir.
Reference Dist	The <i>Reference Distance</i> is measured from the sensor reference point to the point of zero flow in the weir or flume. This must be measured very accurately in the user-selected level units.
Maximum Head	<i>Maximum Head</i> is the highest liquid level (Head) value in the flume or weir before the flow equation is no longer valid. The <i>Maximum Head</i> is expressed in the user-selected <i>Level Units</i> . The Model 700 will default to the largest <i>Maximum Head</i> value that is allowed for any given flume or weir. The <i>Maximum Head</i> value can be revised depending on the value of the <i>Reference Distance</i> , or for end user preference.
Maximum Flow	<i>Maximum Flow</i> is a read-only value that represents the flow value corresponding to the <i>Maximum Head</i> value for the flume or weir.
Low Flow Cutoff	The <i>Low Flow Cutoff</i> (in user-selected level units) will force the calculated flow value to zero whenever the <i>Head</i> is below this point. This parameter will have a default and minimum value of zero.

3.4.5.2 Configuration using Generic Equation

The following table provides an explanation of each of the System Configuration parameters for Open channel flow applications using the Generic Equation.

Configuration Parameter	Explanation (Open Channel Flow — using the Generic Equation)
Flow Units	A selection of Gallons/Minute (factory default <i>Flow Unit</i>), Gallons/Hour , Mil Gallons/Day , Liters/Second , Liters/Minute , Liters/Hour , Cubic Meter/Hour , Cubic Ft/Second , Cubic Ft/Minute , and Cubic Ft/Hour are provided.
Flow Element	Select one of the following primary <i>Flow Elements</i> that are stored in the firmware: Parshall flume sizes of 1", 2", 3", 6", 9", 12", 18", 24", 36", 48", 60", 72", 96", 120" and 144" . Palmer-Bwls (Palmer-Bowlus) flume sizes of 4", 6", 8", 10", 12", 15", 18", 21", 24", 27" and 30" . V-notch weir sizes of 22.5°, 30°, 45°, 60°, 90° and 120° . Rect with Ends (Rectangular Weir with End Contractions), Rect w/o Ends (Rectangular Weir without End Contractions), and Cipoletti weir. Custom Table (see page 57 can be selected if none of the stored <i>Flow Elements</i> can be used. The table can be built with a maximum of 30 points. The Model 700 also has the capability of using a Generic Equation (below) for flow calculation.
Generic Eqn Factors	<i>Generic Equation</i> is a discharge flow equation in the form of $Q = K(L-CH)H^n$, where Q = flow (Cu Ft/Second), H = Head (Feet), K = a constant, and L , C and n are user input factors that depend on which <i>Flow Element</i> is being used. Make sure the flow equation is in the form of $Q = K(L-CH)H^n$, and proceed to enter the values of K, L, C, H and n . See example below. NOTE: The Generic Equation parameters must be entered in Cu Ft/Second units . The resultant flow is converted by the Model 700 into whatever Flow Units are selected above. See example below.
Reference Dist	The <i>Reference Distance</i> is measured from the sensor reference point to the point of zero flow in the weir or flume. This must be measured very accurately in the user-selected level units.
Maximum Head	<i>Maximum Head</i> is the highest liquid level (Head) value in the flume or weir before the flow equation is no longer valid. The <i>Maximum Head</i> is expressed in the user-selected level units. The Model 700 will default to the largest <i>Maximum Head</i> value that is allowed for any given flume or weir. The <i>Maximum Head</i> value can be revised depending on the value of the <i>Reference Distance</i> , or for end user preference.
Maximum Flow	<i>Maximum Flow</i> is a read-only value that represents the flow value corresponding to the <i>Maximum Head</i> value for the flume or weir.
Low Flow Cutoff	The <i>Low Flow Cutoff</i> (in user-selected level units) will force the calculated flow value to zero whenever the <i>Head</i> is below this point. This parameter will have a default and minimum value of zero.

Generic Equation Example (using equation for an 8' rectangular weir w/ end contractions)

Q = Cubic Ft/Second flow rate	L = 8' (weir crest length in feet)	H = Head value
K = 3.33 for Cubic Ft/Second units	C = 0.2 (constant)	n = 1.5 as an exponent

Using the factors above the equation becomes:

$$Q = K(L-CH)H^n$$

$$Q = 3.33 (8-0.2H) H^{1.5}$$

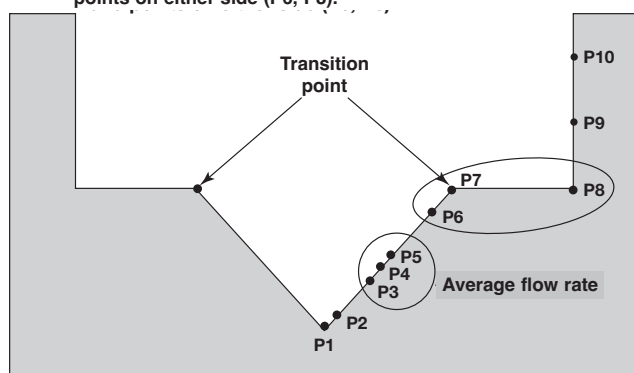
The discharge flow value for a Head value of three feet becomes 128.04 **Cubic Ft/Second**. If GPM was selected for the Flow Units, the Model 700 Measured Values screen would display this value converted to 57,490 GPM.

3.4.5.3 Configuration using Custom Table

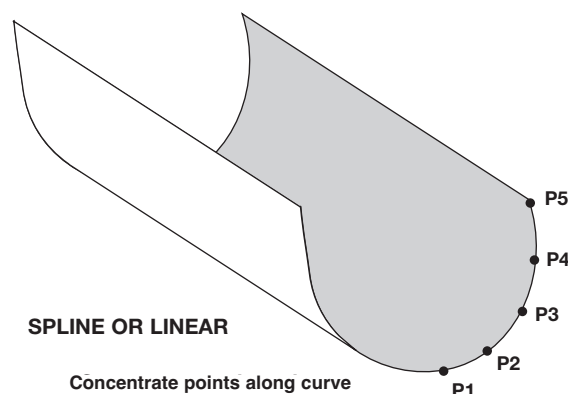
The following table provides an explanation of each of the System Configuration parameters for open channel flow applications using the Custom Table.

Concentrate points as follows:

- A. At least two points at beginning (P1 and P2);
- B. At least two points at end (P9 and P10)
- C. Three points at approximate average flow rate (for example, P3, P4, P5); and at transition point (P7) and points on either side (P6, P8).



SPLINE



SPLINE OR LINEAR

Concentrate points along curve

Configuration Parameter	Explanation (Open Channel Flow — Custom Table)
Flow Units	A selection of Gallons/Minute (factory default <i>Flow Unit</i>), Gallons/Hour, Mil Gallons/Day, Liters/Second, Liters/Minute, Liters/Hour, Cubic Meters/Hour, Cubic Ft/Second, Cubic Ft/Minute, and Cubic Ft/Hour are provided.
Flow Element	Select one of the following primary <i>Flow Elements</i> that are stored in the firmware: Parshall flume sizes of 1", 2", 3", 6", 9", 12", 18", 24", 36", 48", 60", 72", 96", 120" and 144". Palmer-Bwls (Palmer-Bowlus) flume sizes of 4", 6", 8", 10", 12", 15", 18", 21", 24", 27" and 30". V-notch weir sizes of 22.5°, 30°, 45°, 60°, 90° and 120°. Rect with Ends (Rectangular Weir with End Contractions), Rect w/o Ends (Rectangular Weir without End Contractions), and Cipoletti weir. Custom Table (see page 57) can be selected if none of the stored <i>Flow Elements</i> can be used. The table can be built with a maximum of 30 points. The Model 700 also has the capability of using a Generic Equation (see page 56) for flow calculation.
Custom Table	The <i>Custom Table</i> points can be a Linear (straight line between adjacent points) or Spline (can be a curved line between points) relationship. Refer to the drawing above for more information.
Cust Table Vals	A maximum of 30 points can be used in building the <i>Custom Table</i> . Each pair of values will have a Head (height) in the units chosen in the <i>Level Units</i> screen, and the associated flow for that Head value. The values must be monotonic, i.e., each pair of values must be greater than the previous Head/flow pair. The last pair of values should have the highest Head value (usually the <i>Maximum Head</i> value) and the flow associated with that Head value.
Reference Dist	The <i>Reference Distance</i> is measured from the sensor reference point to the point of zero flow in the weir or flume. This must be measured very accurately in the user-selected level units.
Maximum Head	<i>Maximum Head</i> is the highest liquid level (Head) value in the flume or weir before the flow equation is no longer valid. The <i>Maximum Head</i> is expressed in the user-selected <i>Level Units</i> . The Model 700 will default to the largest <i>Maximum Head</i> value that is allowed for any given flume or weir. The <i>Maximum Head</i> value can be revised depending on the value of the <i>Reference Distance</i> , or for end user preference.
Maximum Flow	<i>Maximum Flow</i> is a read-only value that represents the flow value corresponding to the <i>Maximum Head</i> value for the flume or weir.
Low Flow Cutoff	The <i>Low Flow Cutoff</i> (in user-selected level units) will force the calculated flow value to zero whenever the <i>Head</i> is below this point. This parameter will have a default and minimum value of zero.

3.4.6 Reset Function

A parameter labeled “Reset Parameter” is located at the end of the DEVICE SETUP/ADVANCED CONFIG menu. In the event a user gets confused during configuration or advanced troubleshooting, this parameter gives the user the ability to reset the Model 700 transmitter configuration.

Unique to the Model 700 transmitter is the ability for MAGNETROL to fully “pre-configure” devices to customer requests. For that reason, the Reset function will return the device back to the state at **which it left the factory**.

It is recommended that MAGNETROL Technical Support be contacted before performing a reset as the Advanced User password will be required for this reset.

3.4.7 Additional Diagnostic/Troubleshooting Capabilities

3.4.7.1 Event History

As a means for improved troubleshooting capability, a record of significant diagnostic events is stored with time and date stamps. A real time on board clock (which must be set by the operator), will maintain the current time.

3.4.7.2 Context-sensitive Help

Descriptive information relevant to the highlighted parameter in the menu will be accessible via the local display and remote host interfaces. This will most often be a parameter-related screen, but could also be information about menus, actions (for example, Loop [Analog Output] Test, resets of various types), diagnostic indicators, etc.

For example: Dielectric Range — Selects the range bounding the dielectric constant of the medium in vessel. For interface measurement mode, it selects the range bounding the dielectric constant of the lower liquid medium. Some ranges may not be selectable depending on the probe model.

3.4.7.3 Trend Data

The Model 700 has the ability to log several measured values (selectable from any of the primary, secondary, or supplemental measured values) at a configurable rate (for example, once every five minutes) for a period ranging from several hours to a number of days (depending on the configured sample rate and number of values to be recorded). The data will be stored in non-volatile memory in the transmitter with date and time information for subsequent retrieval and visualization using the associated Model 700 DTM.



3.5 Agency Approvals



These units are in compliance with the EMC-directive 2014/30/EU, the PED-directive 2014/68/EU and the ATEX directive 2014/34/EU.

<p>Intrinsically Safe</p> <p>US: FM19US0182X Class I, II, III, Div 1, Group A, B, C, D, E, F, G, T4...T1 Class I, Zone 0 AEx ia IIC T4...T1 Ga Ta = -40 °C to + 70 °C Type 4X, IP66/67</p> <p>Canada: FM19CA0094X Class I, II, III, Div 1, Group A, B, C, D, E, F, G, T4...T1 Zone 0, Ex ia IIC T4...T1 Ga Ta = -40 °C to + 70 °C Type 4X, IP66/67</p> <p>ATEX – FM19ATEX0197X: II 1 G Ex ia IIC T4 Ga Ta = -40 °C to +70 °C IP 66/67</p> <p>IEC – IECEX FMG 19.0037X: Ex ia IIC T4 Ga Ta = -40 °C to +70 °C IP 66/67</p>	<p>Non- Incendive</p> <p>US: FM19US0182X Class I, II, III, Div 2, Group A, B, C, D, E, F, G, T4...T1 Class I, Zone 2 AEx nA IIC T4...T1 Gc Ta = -15 °C to + 70 °C Type 4X, IP66/67</p> <p>Canada: FM19CA0094X Class I, II, III, Div 2, Group A, B, C, D, E, F, G, T4...T1 Zone 2, Ex nA IIC T4...T1 Gc Ta = -15 °C to + 70 °C Type 4X, IP66/67</p> <p>ATEX – FM19ATEX0199X: II 3 G Ex nA IIC T4...T1 Gc Ta = -15 °C to +70 °C IP 66/67</p> <p>IEC – IECEX FMG 19.0037X: Ex nA IIC T4 Gc Ta = -15 °C to + 70 °C IP 66/67</p>
--	--

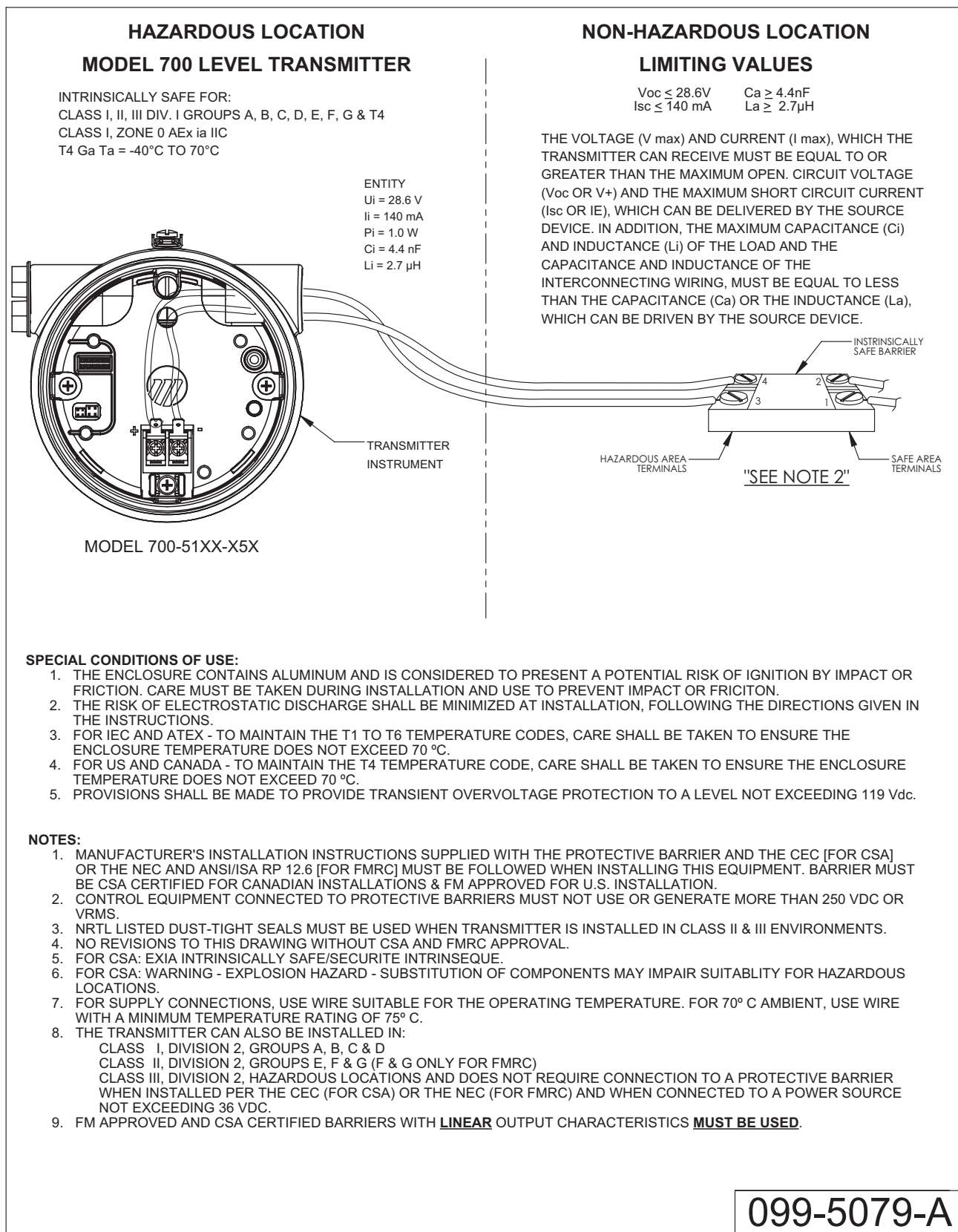
The following approval standards are applicable:

FM3600:2018, FM3610:2010, FM3611:2018, FM3616:2011, FM3810:2018, UL60079-0:2019, ANSI/ISA 60079-11:2014, ANSI/ISA 60079-15:2012, ANSI/ISA 60079-26:2014, ANSI/NEMA 250:2003, ANSI/IEC 60529:2004, CSA-C22.2 No. 25:2009, CSA-C22.2 No. 30:2007, CSA- C22.2 No. 94:2001, CSA-C22.2 No. 157:2012, CSA-C22.2 No. 213:2012, CAN/CSA 60079-0:2019 CAN/CSA 60079-11:2011 CAN/CSA 60079-15:2012 C22.2 No. 60529:R2010, ANSI/ISA 12.27.01, EN/IEC60079-0:2018, EN60079-11:2012, EN60079-15:2010, EN60079-26:2007, EN60529+A1:1991-2000, IEC60079-0:2017, IEC60079-1:2014, IEC60079-11:2011, IEC60079-15:2010, IEC60079-26:2006, ANSI/ISA 12.27.01:2011

3.5.1 Special Conditions of Use

1. The enclosure contains aluminum and is considered to present a potential risk of ignition by impact or friction. Care must be taken during installation and use to prevent impact or friction.
2. The risk of electrostatic discharge shall be minimized at installation, following the directions given in the instructions.
3. For installation with ambient temperature of +70 °C, refer to the manufacturer's instructions for guidance on proper selection of conductors.
4. **WARNING** — Explosion Hazard: Do not disconnect equipment when flammable or combustible atmosphere is present.

3.5.2 Agency Specifications – FM/CSA Intrinsically Safe Installation



3.6 Specifications

3.6.1 Functional/Physical

System Design

Measurement Principle Guided Wave Radar based on Time Domain Reflectometry (TDR)

Input

Measured Variable Level, as determined by GWR time of flight

Span 15 cm to 30 m (6 inches to 100 feet)

Output

Type 4 to 20 mA with HART: 3.8 mA to 20.5 mA useable (per NAMUR NE43)

Resolution Analog: .003 mA

Digital Display: 1 mm

Loop Resistance 590 ohms @ 24 VDC and 22 mA

Diagnostic Alarm Selectable: 3.6 mA, 22 mA (meets requirements of NAMUR NE 43), or HOLD last output

Diagnostic Indication Meets requirements of NAMUR NE107

Damping Adjustable 0–10 seconds

User Interface

Keypad 4-button menu-driven data entry

Display Graphic liquid crystal display

Digital Communication/Systems HART Version 7—with Field Communicator, AMS, or FDT
DTM (PACTware™), EDDL

Menu Languages Transmitter LCD: English, French, German, Spanish, Russian

HART DD: English, French, German, Spanish, Russian, Chinese, Portuguese, Polish

Power (at transmitter terminals) 11 VDC minimum under certain conditions (refer to I&O Manual BE57-660)

Housing

Material IP67/die-cast aluminum A413 (<0.6 % copper); optional stainless steel

Net/Gross Weight Aluminum: 4 lbs. (1.8 kg)

Overall Dimensions H 137 mm (5.41") x W 123 mm (4.86") x D 116 mm (4.55")

Cable Entry 1/2" NPT or M20

SIL 2/3 Capable (Certified) Safe Failure Fraction = 92.4 % (HART only)

Functional Safety to SIL 2/3 in accordance with IEC 61508

Environment

Operating Temperature -40 to +80 °C (-40 to +175 °F); LCD viewable -20 to +70 °C (-5 to +160 °F)

Storage Temperature -45 to +85 °C (-50 to +185 °F)

Humidity 0 to 99 %, non-condensing

Electromagnetic Compatibility ① Meets CE requirement (EN 61326) and NAMUR NE 21 ①

Surge Protection Meets CE EN 61326 (1000V)

Shock/Vibration ANSI/ISA-S71.03 Class SA1 (Shock); ANSI/ISA-S71.03 Class VC2 (Vibration)

① Single rod probes must be used in metallic vessel or stillwell to maintain CE noise immunity.

3.6.1 Functional/Physical

Performance		
Reference Conditions ①		Reflection from liquid, with dielectric constant in center of selected range, with a 1.8 m (72") coaxial probe at +20 °C (+70 °F), in Auto Largest Threshold Mode
Linearity ②	Coaxial Probes:	<0.1% of probe length or 2.5 mm (0.1 inch), whichever is greater
	Single Rod/Cable:	<0.3% of probe length or 7.5 mm (0.3 inch), whichever is greater
Accuracy	Coaxial:	±0.1% of probe length or ±2.5 mm (0.1 inch), whichever is greater
	Single Rod/Cable:	±0.5% of probe length or ±13 mm (0.5 inch), whichever is greater
	Interface Operation:	Coaxial: ±25 mm (1 inch) for an interface thickness greater than 50 mm (2 inches)
Resolution		±1 mm or 0.1 inch
Repeatability		<2.5 mm (0.1 inch)
Hysteresis		<2.5 mm (0.1 inch)
Response Time		Approximately 1 second
Initialization Time		Less than 10 seconds
Ambient Temperature Effect		Approx. ±0.02 % of probe length/degree C (for probes greater than 2.5 m (8 feet))
Process Dielectric		<7.5 mm (0.3 inch) within selected range

① Specifications will degrade in Fixed Threshold mode.

② Linearity in top 46 cm (18 inches) of twin cable and single rod probes in tanks will be application dependent.

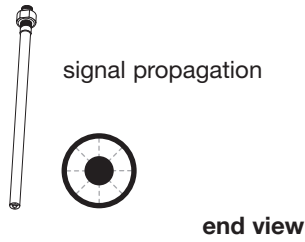
3.6.2 O-ring (Seal) Selection Chart

Code	O-Ring/Seal Material	Max. Process Temperature	Min. Process Temperature	Max. Process Pressure	Not Recommended For Applications	Recommended for Applications
0	Viton® GFLT	200 °C @ 16 bar (400 °F @ 230 psi)	-40 °C (-40 °F)	70 bar @ 20 °C (1000 psi @ 70 °F)	Ketones (MEK, acetone), skydrol fluids, amines, anhydrous ammonia, low molecular weight esters and ethers, hot hydrofluoric or chlorosulfuric acids, sour HCs	General purpose, ethylene
2	Kalrez® 4079	200 °C @ 16 bar (400 °F @ 232 psi)	-40 °C (-40 °F)	70 bar @ 20 °C (1000 psi @ 70 °F)	Hot water/steam, hot aliphatic amines, ethylene oxide, propylene oxide	Inorganic and organic acids (including hydro fluids and nitric), aldehydes, ethylene, organic oils, glycols, silicone oils, vinegar, sour HCs
8	Simriz SZ485 (formerly Aegis PF128) ①	200 °C @ 16 bar (400 °F @ 232 psi)	-20 °C (-4 °F)	70 bar @ 20 °C (1000 psi @ 70 °F)	Black liquor, freon 43, freon 75, galdden, KEL-F liquid, molten potassium, molten sodium	Inorganic and organic acids (including hydro fluids and nitric), aldehydes, ethylene, organic oils, glycols, silicone oils, vinegar, sour HCs, steam, amines, ethylene oxide, propylene oxide, NACE applications
A	Kalrez® 6375	200 °C @ 16 bar (400 °F @ 232 psi)	-40 °C (-40 °F)	70 bar @ 20 °C (1000 psi @ 70 °F)	Hot water/steam, hot aliphatic amines	Inorganic and organic acids (including hydro fluids and nitric), aldehydes, ethylene, organic oils, glycols, silicone oils, vinegar, sour HCs. ethylene oxide, propylene oxide
D or N	Glass Ceramic Alloy	450 °C @ 248 bar (850 °F @ 3600 psi)	-195 °C (-320 °F)	431 bar @ 20 °C (6250 psi @ 70 °F)	Hot alkaline solutions HF acid, media with pH>12, direct exposure to saturated steam	General high temperature/high pressure applications, hydrocarbons, full vacuum (hermetic), ammonia, chlorine

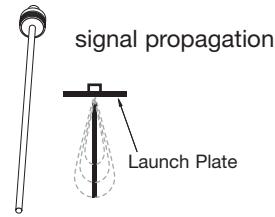
① Maximum +150 °C (+300 °F) for use on steam.

3.6.3 Probe Selection Guide

COAXIAL/CAGED GWR PROBE



SINGLE ROD/CABLE PROBE



GWR Probe ^①	Description	Application	Installation	Dielectric Range ^{②③}	Temperature Range	Max. Pressure	Vacuum ^④	Overfill Safe	Viscosity cP (mPa.s)
Coaxial GWR Probes—Liquids									
7zT	Standard Temperature	Level/Interface	Tank/Chamber	ϵ_r 1.4–100	-40 to +200 °C (-40 to +400 °F)	70 bar (1000 psi)	Yes	Yes	500/2000
7zP	High Pressure	Level/Interface	Tank/Chamber	ϵ_r 1.4–100	-196 to +200 °C (-320 to +400 °F)	431 bar (6250 psi)	Full	Yes	500/2000
Single Rod Rigid GWR Probes—Liquids									
7zF	Standard Temperature	Level	Tank	ϵ_r 1.4–100	-40 to +200 °C (-40 to +400 °F)	70 bar (1000 psi)	Yes	No ^⑤	10000
Single Cable Flexible GWR Probes—Liquids									
7z1	Standard Temperature	Level/Interface	Tank	ϵ_r 1.4–100	-40 to +200 °C (-40 to +400 °F)	70 bar (1000 psi)	Yes	No ^⑤	10000

① 2nd digit B=English, D=Metric

② Minimum ϵ_r 1.2 with end of probe analysis enabled.

③ Single rod probes mounted directly into the vessel must be within 75-150 mm (3–6 inches) of metal tank wall to obtain minimum dielectric of 1.4, otherwise ϵ_r min = 1.7.

④ ECLIPSE probes containing o-rings can be used for vacuum (negative pressure) service, but only those probes with glass seals are hermetically sealed to <10⁻⁸ cc/sec @ 1 atmosphere helium.

⑤ Overfill capability can be achieved with software.

3.6.4 Probe Specifications

Dual-element Probes

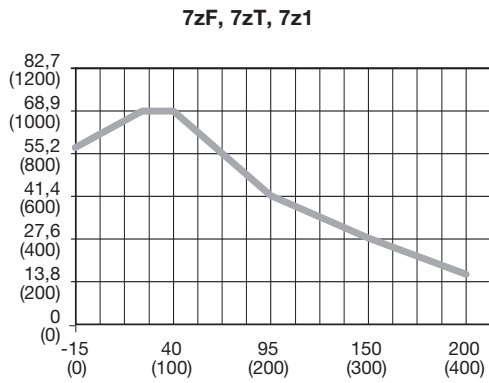
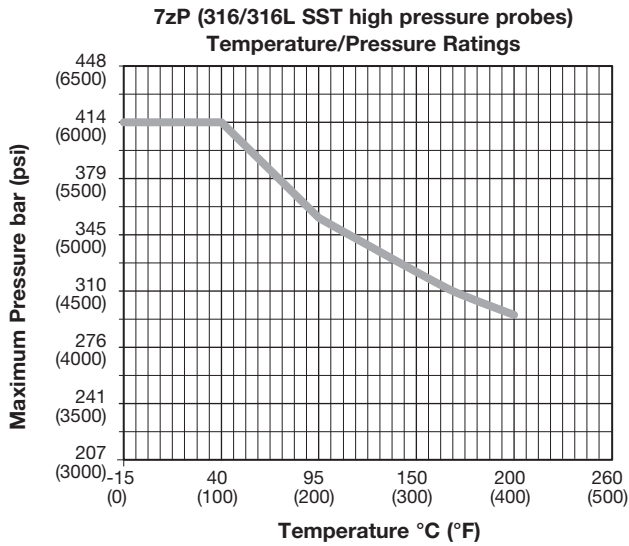
Model	Coaxial (7zT)	HP Coaxial (7zP)
Materials	316/316L SS TFE spacers, Viton® O-rings	316/316L SS, Glass Ceramic Alloy, Inconel TFE spacers
Diameter	Small Coaxial: 8 mm (.3125") diameter rod, 10 mm (.875") diameter tube	
	Enlarged Coaxial: 15 mm (.6") diameter rod, 44 mm (1.75") diameter tube	
Process Connection	3/4" NPT, 1" BSP ASME or EN flanges	3/4" NPT, 1" BSP ASME or EN flanges
Transition Zone (Top)	None	
Transition Zone (Bottom)	150 mm (6") @ $\epsilon_r = 1.4$ 25 mm (1") @ $\epsilon_r = 80.0$	
Pull Force/Tension	N/A	

NOTE: Transition Zone is dielectric dependent; ϵ_r = dielectric permittivity. The transmitter still operates but level reading may become nonlinear in Transition Zone.

Single Rod Probes

Model	7zF	7z1 Flexible
Materials	316/316L SS Viton® O-rings	316/316L SS, Viton® O-rings (optional PFA coating)
Diameter	13 mm (0.5")	6 mm (0.25")
Blocking Distance - Top	0–45 cm (0–18")—Installation dependent (adjustable)	
Process Connection	1" NPT (7zF) ASME or EN flange	2" NPT ASME or EN flange
Transition Zone (Top)	Application Dependent	
Transition Zone (Bottom)	5 mm (2") @ $\epsilon_r > 10$	305 mm (12") minimum
Pull Force/Tension	N/A	9 Kg (20 lbs.)
Side Load	Not more than 7.6 cm (3") deflection at end of 305 cm (120") probe	Cable not to exceed 5° from vertical

Temperature/Pressure Charts

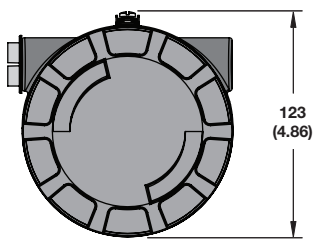


High Pressure Probes		Low Pressure
Temp. °C (°F)	SST	All Materials
-40 (-40)	6000	750
20 (+70)	6000	1000
40 (+100)	6000	1000
95 (+200)	5160	650
150 (+300)	4660	400
200 (+400)	4280	270

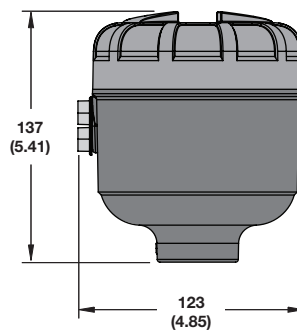
- 7zP with threaded fittings have 248 bar (3600 psi) rating.
- Maximum pressure for 1" NPT or 1" BSP: 316 SST probe: 139 bar (2016 psi)
- Maximum pressure for 2" NPT or 2" BSP: 316 SST probe: 414 bar (6000 psi)

3.6.5 Physical Specifications – Transmitter

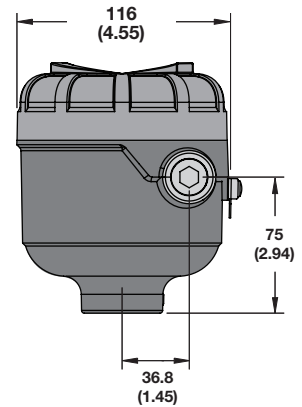
mm (inches)



Top View

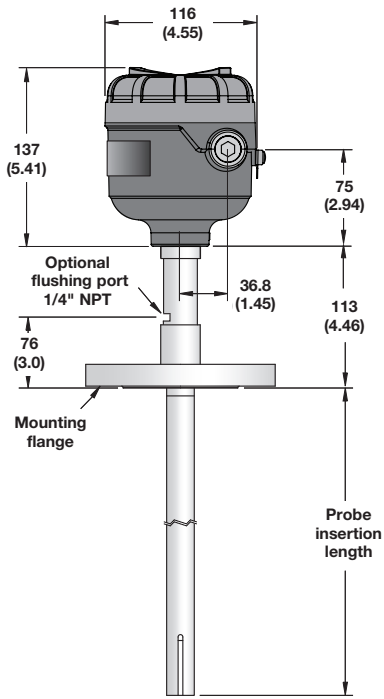


Side Views

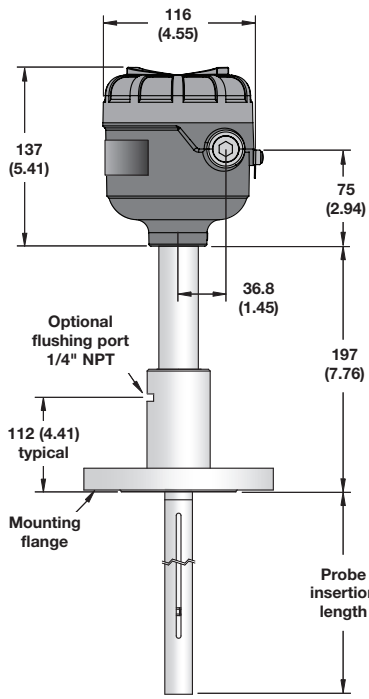


3.6.6 Physical Specifications – Coaxial Probes

mm (inches)



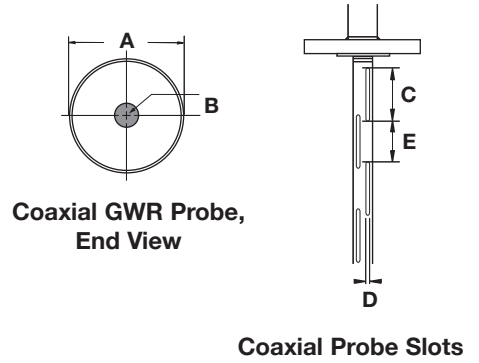
Model 7zT
with flanged connection



Model 7zP
with flanged connection

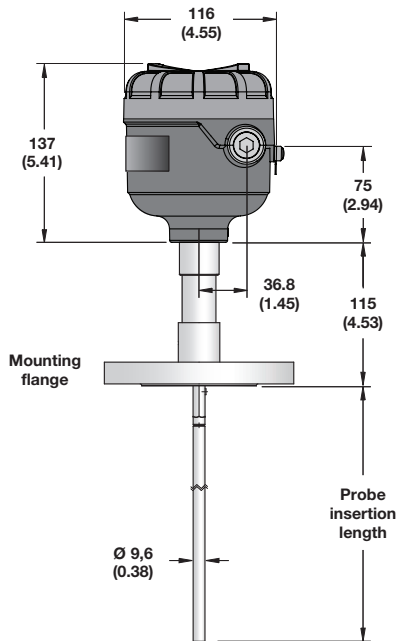
mm (inches)

Dim.	Small Diameter	Enlarged (standard)
A	22.5 (0.88)	45 (1.75) - SST
B	8 (0.31)	16 (0.63)
C	100 (4.08)	153 (6.05)
D	4 (0.15)	8 (0.30)
E	96 (3.78)	138 (5.45)

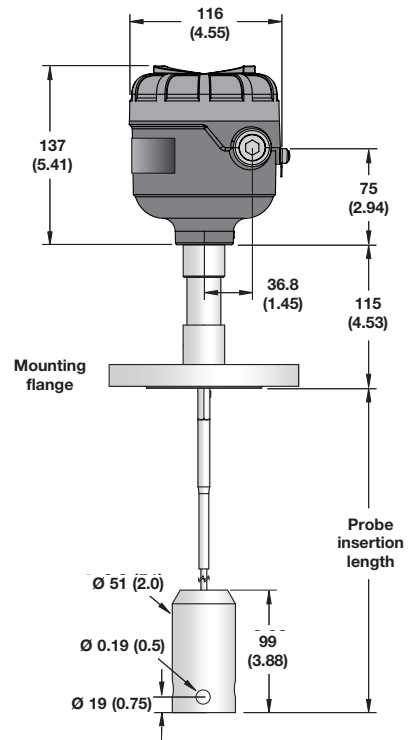


3.6.7 Physical Specifications – Single Rod Probes

mm (inches)



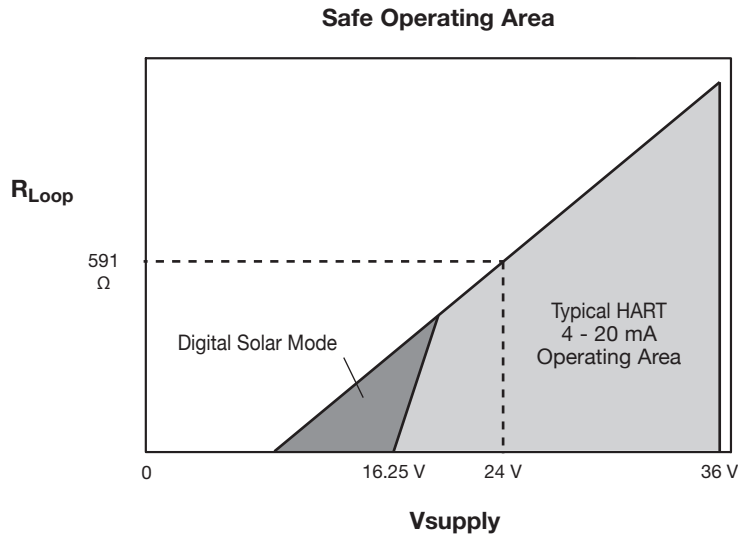
Model 7zF (Rigid)
with flanged connection



Model 7z1 (Flexible)
with flanged connection

3.6.8 Power Supply Requirements

3.6.8.1 Safe Operating Area



3.6.8.2 Supply Voltage

Operational Mode	Current Consumption	Vmin	Vmax
HART			
General Purpose	4mA 20mA	16.25V 11V	36V 36V
Intrinsically Safe	4mA 20mA	16.25V 11V	28.6V 28.6V
Fixed Current-Solar Power Operation (PV transmitter via HART)			
General Purpose	10mA ^①	11V	36V
Intrinsically Safe	10mA ^①	11V	28.6V
HART Multi-Drop Mode (Fixed Current)			
Standard	4mA ^①	16.25V	36V
Intrinsically Safe	4mA ^①	16.25V	28.6V

① Start-up current 12 mA minimum.

3.7 Model Number

3.7.1 Transmitter

1 2 3 | BASIC MODEL NUMBER

7	0	0	ECLIPSE Guided Wave Radar (GWR) Level Transmitter
---	---	---	---

4 | POWER

5	24 VDC, Two-Wire
---	------------------

5 | SIGNAL OUTPUT

1	4–20 mA with HART
---	-------------------

6 | SAFETY OPTIONS

2	SIL 2/3 Certified
---	-------------------

7 | ACCESSORIES/MOUNTING

0	No Digital Display or Keypad – Integral
A	Digital Display and Keypad – Integral

8 | CLASSIFICATION

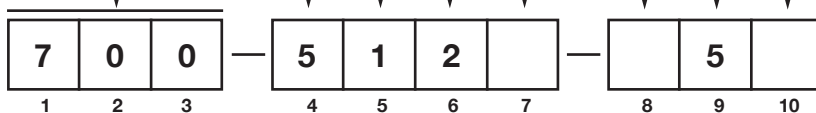
0	General Purpose, Weatherproof (IP 67)
1	Intrinsically Safe (FM & CSA CL 1 Div 1, Grps A, B, C, D)
A	Intrinsically Safe (ATEX/IEC Ex ia IIC T4)
C	Non-sparking (ATEX/IEC Ex n IIC T6) / Non-incendive (FM & CSA, CL 1 Div 2)

9 | HOUSING

5	Die-cast Aluminum, Single-compartment
---	---------------------------------------

10 | CONDUIT CONNECTION

0	1/2" NPT
1	M20



3.7.2 Small Coaxial Probe

1 | TECHNOLOGY

7	ECLIPSE GWR Probes - Model 700
---	--------------------------------

2 | MEASUREMENT SYSTEM

B	English (inches)
D	Metric (centimeters)

3 | CONFIGURATION/STYLE (RIGID)

P	Small Coaxial, High Pressure: Overfill w/Glass Seal (+200 °C/+400 °F) — Available only with 10th digit N
T	Small Coaxial, Overfill Standard O-Ring Seal (+200 °C/+400 °F) — NOT available with 10th digit N

4 5 | PROCESS CONNECTION – SIZE/TYPE (consult factory for other process connections)

Threaded

1 1	3/4" NPT Thread	2 2	1" BSP (G1) Thread
4 1	2" NPT Thread — Available only with 3rd Digit D	4 2	2" BSP (G1) Thread — Available only with 3rd Digit D

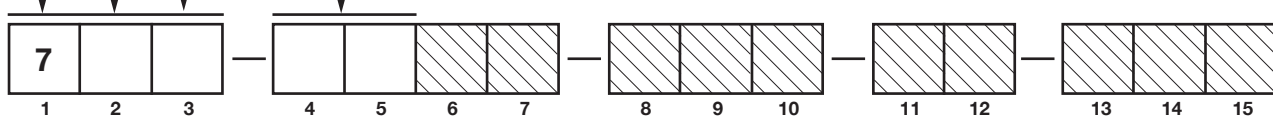
ASME Flanges

2 3	1" 150# ASME RF ①②	3 8	1 1/2" 2500# ASME RF ④	5 3	3" 150# ASME RF	6 3	4" 150# ASME RF
2 4	1" 300# ASME RF ①②	3 N	1 1/2" 2500# ASME RTJ ④	5 4	3" 300# ASME RF	6 4	4" 300# ASME RF
2 5	1" 600# ASME RF ①②	4 3	2" 150# ASME RF	5 5	3" 600# ASME RF	6 5	4" 600# ASME RF
2 K	1" 600# ASME RTJ ①②	4 4	2" 300# ASME RF	5 6	3" 900# ASME RF	6 6	4" 900# ASME RF
3 3	1 1/2" 150# ASME RF ②	4 5	2" 600# ASME RF	5 7	3" 1500# ASME RF	6 7	4" 1500# ASME RF
3 4	1 1/2" 300# ASME RF ②	4 7	2" 900/1500# ASME RF	5 8	3" 2500# ASME RF	6 8	4" 2500# ASME RF
3 5	1 1/2" 600# ASME RF ②	4 8	2" 2500# ASME RF	5 K	3" 600# ASME RTJ	6 K	4" 600# ASME RTJ
3 K	1 1/2" 600# ASME RTJ ②	4 K	2" 600# ASME RTJ	5 L	3" 900# ASME RTJ	6 L	4" 900# ASME RTJ
3 7	1 1/2" 900/1500# ASME RF②	4 M	2" 900/1500# ASME RTJ	5 M	3" 1500# ASME RTJ	6 M	4" 1500# ASME RTJ
3 M	1 1/2" 900/1500# ASME RTJ②	4 N	2" 2500# ASME RTJ	5 N	3" 2500# ASME RTJ	6 N	4" 2500# ASME RTJ

EN Flanges

B W	DN 25, PN 16/25/40 EN 1092-1 TYPE B1①②	E W	DN 80, PN 16 EN 1092-1 TYPE B1
B Z	DN 25, PN 63/100 EN 1092-1 TYPE B1①②	E Z	DN 80, PN 25/40 EN 1092-1 TYPE B1
C B	DN 40, PN 16/25/40 EN 1092-1 TYPE B1②	E D	DN 80, PN 63 EN 1092-1 TYPE B2
C C	DN 40, PN 63/100 EN 1092-1 TYPE B2 ②	E E	DN 80, PN 100 EN 1092-1 TYPE B2
C F	DN 40, PN 160 EN 1092-1 TYPE B2 ②	E F	DN 80, PN 160 EN 1092-1 TYPE B2
C G	DN 40, PN 250 EN 1092-1 TYPE B2 ②	E G	DN 80, PN 250 EN 1092-1 TYPE B2
C H	DN 40, PN 320 EN 1092-1 TYPE B2 ②	E H	DN 80, PN 320 EN 1092-1 TYPE B2
C J	DN 40, PN 400 EN 1092-1 TYPE B2 ②	E J	DN 80, PN 400 EN 1092-1 TYPE B2
D W	DN 50, PN 16 EN 1092-1 TYPE B1	F W	DN 100, PN 16 EN 1092-1 TYPE B1
D Z	DN 50, PN 25/40 EN 1092-1 TYPE B1	F Z	DN 100, PN 25/40 EN 1092-1 TYPE B1
D D	DN 50, PN 63 EN 1092-1 TYPE B2	F D	DN 100, PN 63 EN 1092-1 TYPE B2
D E	DN 50, PN 100 EN 1092-1 TYPE B2	F E	DN 100, PN 100 EN 1092-1 TYPE B2
D F	DN 50, PN 160 EN 1092-1 TYPE B2	F F	DN 100, PN 160 EN 1092-1 TYPE B2
D G	DN 50, PN 250 EN 1092-1 TYPE B2	F G	DN 100, PN 250 EN 1092-1 TYPE B2
D H	DN 50, PN 320 EN 1092-1 TYPE B2	F H	DN 100, PN 320 EN 1092-1 TYPE B2
D J	DN 50, PN 400 EN 1092-1 TYPE B2	F J	DN 100, PN 400 EN 1092-1 TYPE B2

- ① Confirm mounting conditions/nozzle diameter to ensure sufficient clearance.
- ② Not available with 3rd digit P.



6 | CONSTRUCTION CODES

0	Industrial
---	------------

7 | FLANGE OPTIONS — Offset flanges are available only with small coaxial probes

0	None
1	Offset (For use with AURORA) — 4" flange only
2	Offset with 1/2" NPT Vent (For use with AURORA) — 4" flange only
3	Offset with 3/4" NPT Vent (For use with AURORA) — 4" flange only

8 | MATERIAL OF CONSTRUCTION - FLANGE/NUT/ROD/INSULATION

A	316 SS/316L SS
---	----------------

9 | SPACER MATERIAL

1	TFE (+200 °C/+400 °F) — $\epsilon_r \geq 1.4$
---	---

10 | O-RING MATERIALS/SEAL OPTIONS

0	Viton® GFLT — Available only with 3rd digit T
2	Kalrez® 4079 — Available only with 3rd digit T
8	Aegis PF 128 (NACE) — Available only with 3rd digit T
A	Kalrez 6375 — Available only with 3rd digit T
N	None — glass ceramic alloy — Available only with 3rd digit P

11 | PROBE SIZE/ELEMENT TYPE/ FLUSHING CONNECTION

2	Small Coaxial (22 mm/0.875 inches)
---	------------------------------------

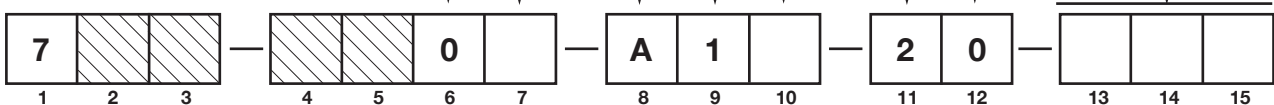
12 | SPECIAL OPTIONS

0	Single Length Probe (Non-Segmented)
---	-------------------------------------

13 14 15 | INSERTION LENGTH

X X X	cm (030 – 610) inches (012 – 240)
-------	--------------------------------------

unit of measure determined by 2nd digit of model number



3.7.3 Enlarged Coaxial Probe

1 | TECHNOLOGY

7	ECLIPSE GWR Probes - Model 700
---	--------------------------------

2 | MEASUREMENT SYSTEM

B	English (inches)
D	Metric (centimeters)

3 | CONFIGURATION/STYLE (RIGID)

P	Enlarged Coaxial, High Pressure: Overfill w/Glass Seal (+200 °C/+400 °F) — Available only with 10th digit N
T	Enlarged Coaxial, Overfill Standard O-Ring Seal (+200 °C/+400 °F) — NOT available with 10th digit N

4 5 | PROCESS CONNECTION – SIZE/TYPE (consult factory for other process connections)

Threaded

4 1	2" NPT Thread ①	4 2	2" BSP (G1) Thread ①
-----	-----------------	-----	----------------------

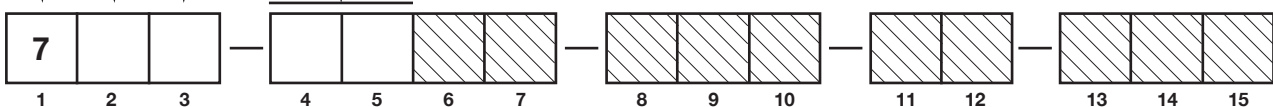
ASME Flanges

4 3	2"	150# ASME RF ①	5M	3"	1500# ASME RTJ
4 4	2"	300# ASME RF ①	5N	3"	2500# ASME RTJ
4 5	2"	600# ASME RF ①	6 3	4"	150# ASME RF
4 K	2"	600# ASME RTJ ①	6 4	4"	300# ASME RF
5 3	3"	150# ASME RF	6 5	4"	600# ASME RF
5 4	3"	300# ASME RF	6 6	4"	900# ASME RF
5 5	3"	600# ASME RF	6 7	4"	1500# ASME RF
5 6	3"	900# ASME RF	6 8	4"	2500# ASME RF
5 7	3"	1500# ASME RF	6K	4"	600# ASME RTJ
5 8	3"	2500# ASME RF	6L	4"	900# ASME RTJ
5K	3"	600# ASME RTJ	6M	4"	1500# ASME RTJ
5L	3"	900# ASME RTJ	6N	4"	2500# ASME RTJ

EN Flanges

D W	DN 50, PN 16	EN 1092-1 TYPE B1①	E H	DN 80, PN 320	EN 1092-1 TYPE B2
D Z	DN 50, PN 25/40	EN 1092-1 TYPE B1①	E J	DN 80, PN 400	EN 1092-1 TYPE B2
D D	DN 50, PN 63	EN 1092-1 TYPE B2①	F W	DN 100, PN 16	EN 1092-1 TYPE B1
D E	DN 50, PN 100	EN 1092-1 TYPE B2①	F Z	DN 100, PN 25/40	EN 1092-1 TYPE B1
E W	DN 80, PN 16	EN 1092-1 TYPE B1	F D	DN 100, PN 63	EN 1092-1 TYPE B2
E Z	DN 80, PN 25/40	EN 1092-1 TYPE B1	F E	DN 100, PN 100	EN 1092-1 TYPE B2
E D	DN 80, PN 63	EN 1092-1 TYPE B2	F F	DN 100, PN 160	EN 1092-1 TYPE B2
E E	DN 80, PN 100	EN 1092-1 TYPE B2	F G	DN 100, PN 250	EN 1092-1 TYPE B2
E F	DN 80, PN 160	EN 1092-1 TYPE B2	F H	DN 100, PN 320	EN 1092-1 TYPE B2
E G	DN 80, PN 250	EN 1092-1 TYPE B2	F J	DN 100, PN 400	EN 1092-1 TYPE B2

① Confirm mounting conditions/nozzle diameter to ensure sufficient clearance.



3.7.3 Enlarged Coaxial Probe continued

6 | CONSTRUCTION CODES

0	Industrial
---	------------

7 | FLANGE OPTIONS — Offset flanges are available only with small coaxial probes

0	None
---	------

8 | MATERIAL OF CONSTRUCTION - FLANGE/NUT/ROD/INSULATION

A	316 SS/316L SS (Probe O.D. 45mm (1.75"))
---	--

9 | SPACER MATERIAL

1	TFE (+200 °C/+400 °F)
---	-----------------------

10 | O-RING MATERIALS/SEAL OPTIONS

0	Viton® GFLT — Available only with 3rd digit T
2	Kalrez® 4079 — Available only with 3rd digit T
8	Aegis PF 128 (NACE) — Available only with 3rd digit T
A	Kalrez 6375 — Available only with 3rd digit T
N	None — glass ceramic alloy — Available only with 3rd digit P

11 | PROBE SIZE/ELEMENT TYPE/FLUSHING CONNECTION

0	Enlarged Coaxial Probe
1	Enlarged Coaxial Probe with Flushing Port

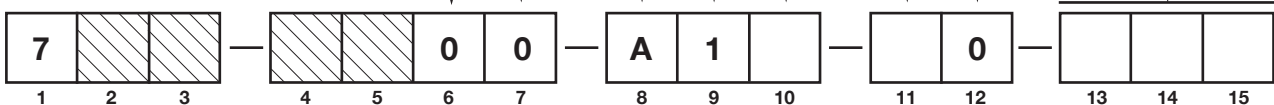
12 | SPECIAL OPTIONS

0	Single Length Probe (Non-Segmented)
---	-------------------------------------

13 14 15 | INSERTION LENGTH

X X X	cm (030 – 610) inches (012 – 240)
-------	--------------------------------------

unit of measure determined by 2nd digit of model number



3.7.4 Single Rod Rigid Probe

1 | TECHNOLOGY

7	ECLIPSE GWR Probes - Model 700
---	--------------------------------

2 | MEASUREMENT SYSTEM

B	English (inches)
D	Metric (centimeters)

3 | CONFIGURATION/STYLE (RIGID)

F	Single Rod, Standard (200 °C/+400 °F)
---	---------------------------------------

4 5 | PROCESS CONNECTION – SIZE/TYPE (consult factory for other process connections)①

Threaded

1 1	3/4" NPT Thread	2 2	1" BSP (G1) Thread
2 1	1" NPT Thread	4 2	2" BSP (G1) Thread
4 1	2" NPT Thread		

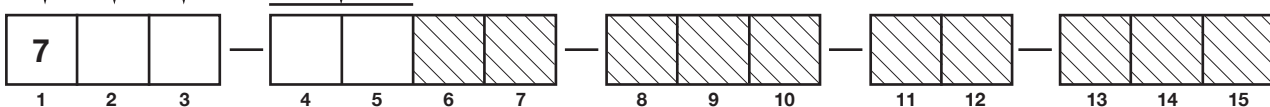
ASME Flanges

3 3	1 1/2" 150# ASME RF ①	4 N	2" 2500# ASME RTJ	5 N	3" 2500# ASME RTJ
3 4	1 1/2" 300# ASME RF ①	5 3	3" 150# ASME RF	6 3	4" 150# ASME RF
3 5	1 1/2" 600# ASME RF ①	5 4	3" 300# ASME RF	6 4	4" 300# ASME RF
4 3	2" 150# ASME RF ①	5 5	3" 600# ASME RF	6 5	4" 600# ASME RF
4 4	2" 300# ASME RF ①	5 6	3" 900# ASME RF	6 6	4" 900# ASME RF
4 5	2" 600# ASME RF ①	5 7	3" 1500# ASME RF	6 7	4" 1500# ASME RF
4 7	2" 900/1500# ASME RF	5 8	3" 2500# ASME RF	6 8	4" 2500# ASME RF
4 8	2" 2500# ASME RF	5 K	3" 600# ASME RTJ	6 K	4" 600# ASME RTJ
4 K	2" 600# ASME RTJ	5 L	3" 900# ASME RTJ	6 L	4" 900# ASME RTJ
4 M	2" 900/1500# ASME RTJ	5 M	3" 1500# ASME RTJ	6 M	4" 1500# ASME RTJ
				6 N	4" 2500# ASME RTJ

EN Flanges

C Z	DN 40, PN 16/25/40 EN 1092-1 TYPE B1	E D	DN 80, PN 63 EN 1092-1 TYPE B2
C C	DN 40, PN 63/100 EN 1092-1 TYPE B2	E E	DN 80, PN 100 EN 1092-1 TYPE B2
C F	DN 40, PN 160 EN 1092-1 TYPE B2	E F	DN 80, PN 160 EN 1092-1 TYPE B2
C G	DN 40, PN 250 EN 1092-1 TYPE B2	E G	DN 80, PN 250 EN 1092-1 TYPE B2
D W	DN 50, PN 16 EN 1092-1 TYPE B1①	E H	DN 80, PN 320 EN 1092-1 TYPE B2
D Z	DN 50, PN 25/40 EN 1092-1 TYPE B1①	E J	DN 80, PN 400 EN 1092-1 TYPE B2
D D	DN 50, PN 63 EN 1092-1 TYPE B2①	F W	DN 100, PN 16 EN 1092-1 TYPE B1
D E	DN 50, PN 100 EN 1092-1 TYPE B2①	F Z	DN 100, PN 25/40 EN 1092-1 TYPE B1
D F	DN 50, PN 160 EN 1092-1 TYPE B2	F D	DN 100, PN 63 EN 1092-1 TYPE B2
D G	DN 50, PN 250 EN 1092-1 TYPE B2	F E	DN 100, PN 100 EN 1092-1 TYPE B2
D H	DN 50, PN 320 EN 1092-1 TYPE B2	F F	DN 100, PN 160 EN 1092-1 TYPE B2
D J	DN 50, PN 400 EN 1092-1 TYPE B2	F G	DN 100, PN 250 EN 1092-1 TYPE B2
E W	DN 80, PN 16 EN 1092-1 TYPE B1①	F H	DN 100, PN 320 EN 1092-1 TYPE B2
E Z	DN 80, PN 25/40 EN 1092-1 TYPE B1	F J	DN 100, PN 400 EN 1092-1 TYPE B2

① Confirm mounting conditions/nozzle diameter to ensure sufficient clearance.



6 | CONSTRUCTION CODES

0	Industrial
---	------------

7 | FLANGE OPTIONS

0	None
---	------

8 | MATERIAL OF CONSTRUCTION - MFG/NUT/ROD/INSULATION

A	316 SS/316L SS
F	Faced Flange, PFA coated wetted surfaces
P	PFA coated rod

9 | SPACER MATERIAL

0	None
---	------

10 | O-RING MATERIALS/SEAL OPTIONS

0	Viton® GFLT
2	Kalrez 4079
8	Aegis PF 128 (NACE)
A	Kalrez 6375

**11 | PROBE SIZE/ELEMENT TYPE/
FLUSHING CONNECTION**

0	Standard Single Rod
---	---------------------

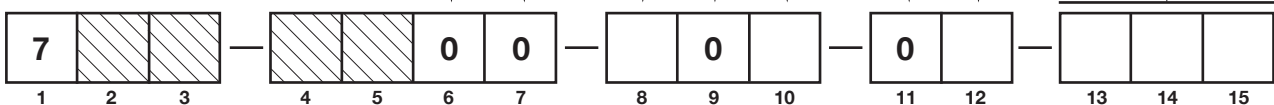
12 | SPECIAL OPTIONS

0	Non-Removable Rod Available only with PFA Coated Probes (8th digit F or P)
1	Removable Rod Not available with PFA Coated Probes (8th Digit F or P)

13 14 15 | INSERTION LENGTH

X X X	cm (030 – 732) inches (012 – 288) maximum 610 cm when 8th digit = F or P
-------	---

unit of measure determined by 2nd digit of model number



3.7.5 Single Cable Flexible Probe

1 | TECHNOLOGY

7	ECLIPSE GWR Probes - Model 700
---	--------------------------------

2 | MEASUREMENT SYSTEM

B	English
D	Metric

3 | SPECIALTY FLEXIBLE PROBES

1	Single Cable Flexible standard for in-tank applications (+200 °C/+400 °F)
---	---

4 5 | PROCESS CONNECTION – SIZE/TYPE (consult factory for other process connections)

Threaded

2 1	1" NPT Thread
3 1	1 1/2" NPT Thread
4 1	2" NPT Thread

2 2	1" BSP (G1) Thread
4 2	2" BSP (G1) Thread

ASME Flanges

4 3	2" 150# ASME RF ①
4 4	2" 300# ASME RF ①
4 5	2" 600# ASME RF ①

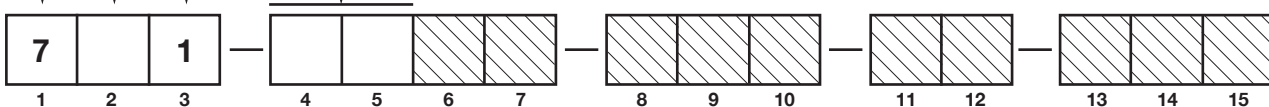
5 3	3" 150# ASME RF
5 4	3" 300# ASME RF
5 5	3" 600# ASME RF

6 3	4" 150# ASME RF
6 4	4" 300# ASME RF
6 5	4" 600# ASME RF

EN Flanges

D W	DN 50, PN 16	EN 1092-1 TYPE B1 ①
D Z	DN 50, PN 25/40	EN 1092-1 TYPE B1 ①
D D	DN 50, PN 63	EN 1092-1 TYPE B2 ①
D E	DN 50, PN 100	EN 1092-1 TYPE B2 ①
E W	DN 80, PN 16	EN 1092-1 TYPE B1
E Z	DN 80, PN 25/40	EN 1092-1 TYPE B1
E D	DN 80, PN 63	EN 1092-1 TYPE B2
E E	DN 80, PN 100	EN 1092-1 TYPE B2
F W	DN 100, PN 16	EN 1092-1 TYPE B1
F Z	DN 100, PN 25/40	EN 1092-1 TYPE B1
F D	DN 100, PN 63	EN 1092-1 TYPE B2
F E	DN 100, PN 100	EN 1092-1 TYPE B2

① Confirm mounting conditions/nozzle diameter to ensure sufficient clearance.



3.7.5 Single Cable Flexible Probe continued

6 | CONSTRUCTION CODES

0	Industrial
---	------------

7 | FLANGE OPTIONS

0	None
---	------

8 | MATERIAL OF CONSTRUCTION - MFG/NUT/ROD/INSULATION

A	316 SS/316L SS
P	PFA Coated

9 | SPACER/WEIGHT MATERIAL

0	PTFE Weight
---	-------------

10 | O-RING MATERIALS/SEAL OPTIONS

0	Viton® GFLT
2	Kalrez 4079
8	Aegis PF 128 (NACE)
A	Kalrez 6375

11 | PROBE SIZE/ELEMENT TYPE/ FLUSHING CONNECTION

3	Flexible Cable Probe
---	----------------------

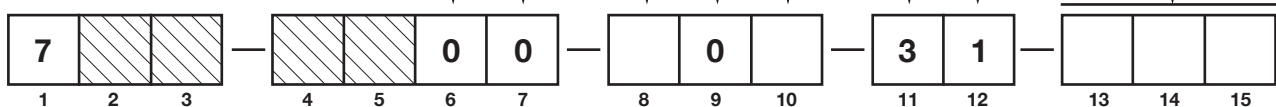
12 | SPECIAL OPTIONS

0	Removable Single-piece Probe Cable
---	---------------------------------------

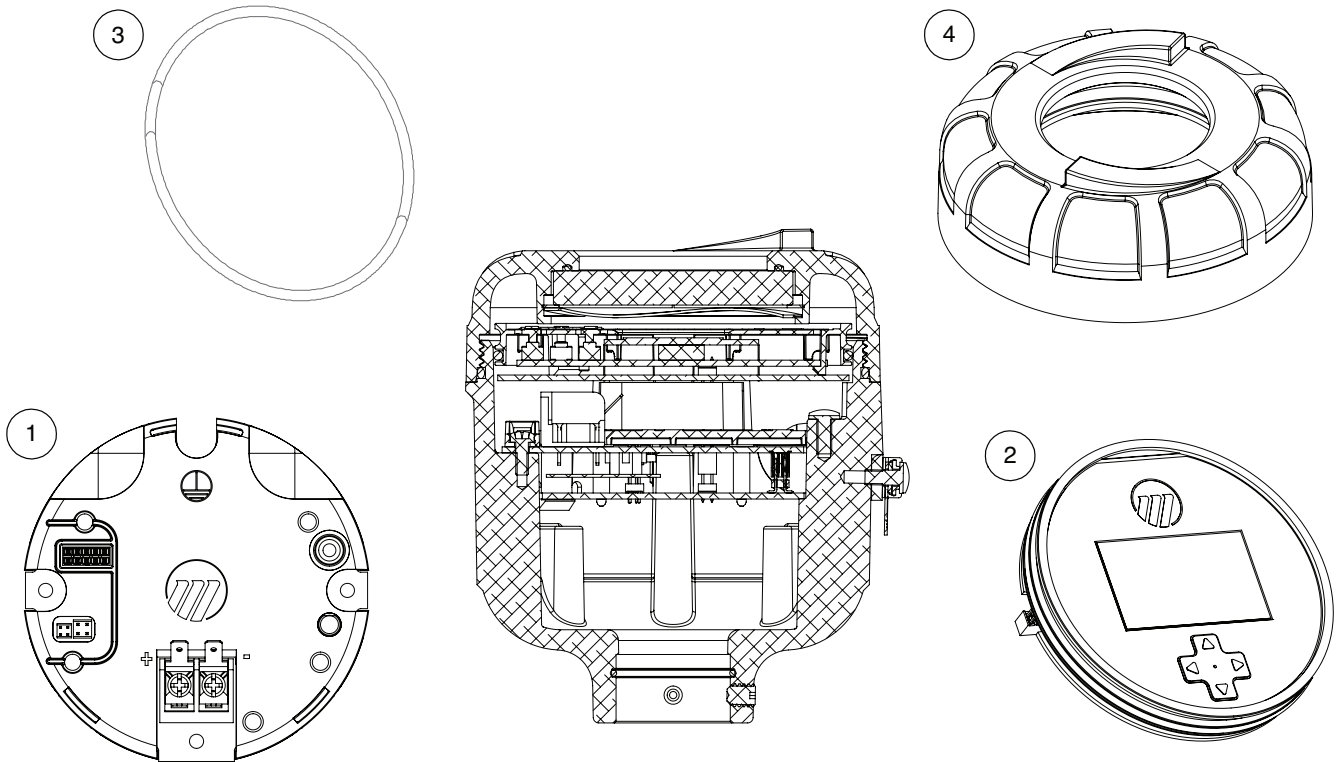
13 14 15 | INSERTION LENGTH

X X X	meters (001 – 030) feet (003 – 100)
-------	--

unit of measure deter-
mined by 2nd digit of
model number



3.8 Replacement Parts



Electronics:

Partn°: - -

Serial n°:

Digit in partn°: - -

See nameplate, always provide complete partn° and serial n° when ordering spares.

↳ X = product with a specific customer requirement

(1) Electronic Module		
Digit 5	Digit 6	Replacement Part
1	2	Z31-2870-001

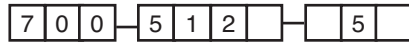
(2) Display Module	
Digit 7	Replacement Part
0	N/A
A or C	Z31-2869-001

	Replacement Part
(3) O-ring	012-2501-154

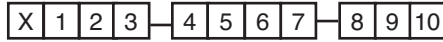
(4) Housing Cover	
Digit 7	Replacement Part
0	004-9231-002
A	036-4414-001

Probe:

Partn°:

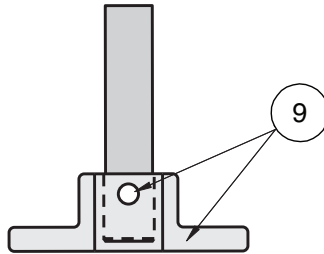


Digit in partn°:



X = product with a specific customer requirement

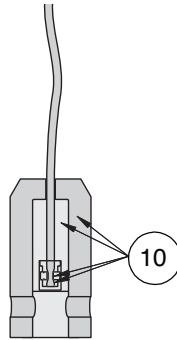
Bottom Spacer for Single Rod GWR Probe



7zF single rod

(9) Bottom Spacer + Pin Kit		
Digit 3	Digit 8	Replacement Part
F	A	089-9114-008

Cable Weight for Flexible GWR Probe



7z1 single cable

(10) Cable Weight Assembly	
Digit 3	Replacement Part
1	089-9120-001

4.0 Advanced Configuration/ Troubleshooting Techniques

This section contains information regarding some of the advanced configuration and troubleshooting capability contained within the Model 700 transmitter. These diagnostic options are best suited for use with PACTware and the Model 700 DTM, and should be implemented only after contacting MAGNETROL Technical Support.

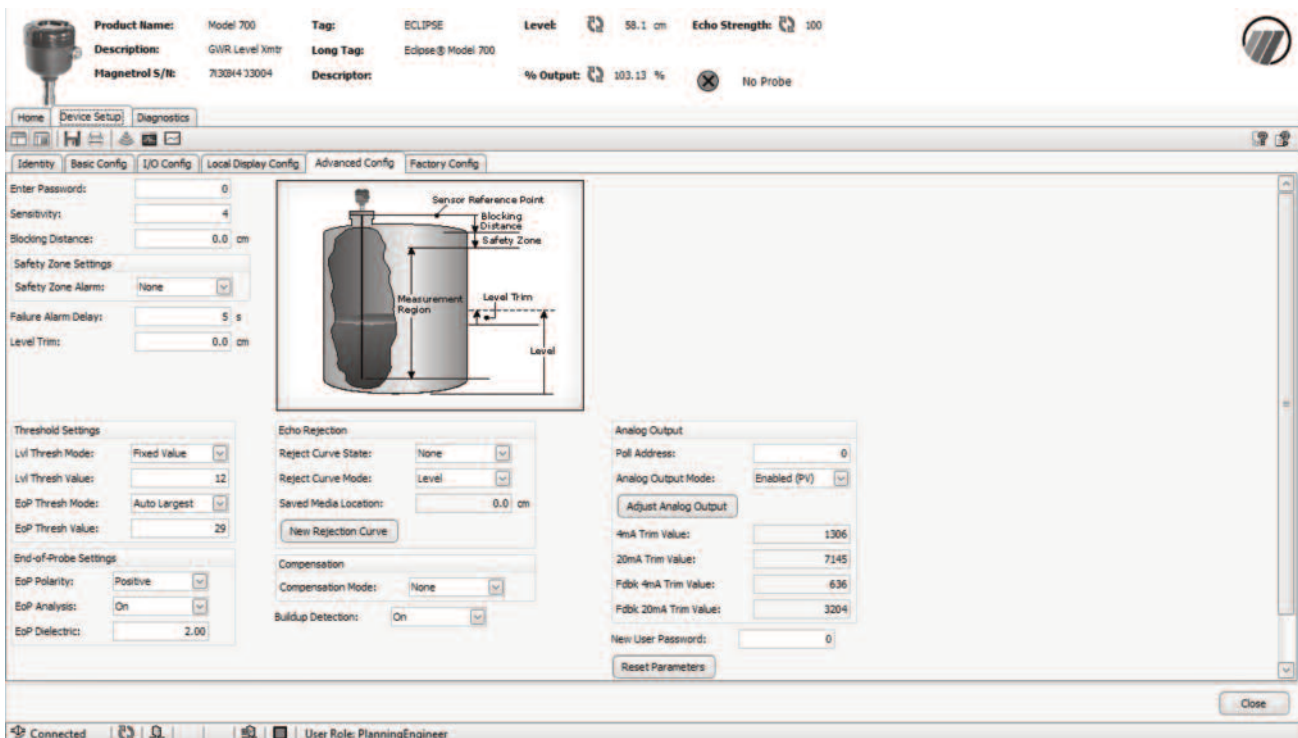
4.1 End-of-Probe Analysis (EOPA)

Note that due to the operation of this method, End of Probe Analysis cannot be applied with interface measurement, applications with a "water" bottoms, or with stratifying liquids. Therefore, EOPA will not be available when Measurement Type = Interface & Level.

When EOPA is enabled and the calculated (inferred level) is being used, a diagnostic warning shown as "Inferred Level" will be present.

4.1.1 Enable EOPA using PACTware

Click on the Device Setup tab, and then select Advanced Config. In the lower left corner select the correct Polarity for the End of Probe pulse, then turn on the EoP Analysis. The Eop Dielectric box will then appear. Fill in the correct Dielectric of the process medium being measured.



4.1.2 Enable EOPA using keypad/LCD

From the MAIN MENU, select DEVICE SETUP and press Enter.



Scroll down to ADVANCED CONFIG, and press Enter.



Scroll down to END of PROBE ANALYSIS, and press Enter.



Enter the correct polarity for EoP Polarity, turn on EoP Analysis, and then enter the correct value for EoP Dielectric. EoP Dielectric is the dielectric constant of the process medium being measured.



4.2 Sloped Threshold

The Sloped Threshold option contained in the Model 700 allows the user additional level detection capability by allowing the threshold to be sloped (bent) around an unwanted signal. The result is a convenient way to ignore undesired signals.

The use of PACTware and the Model 700 DTM is recommended for this option.

Using PACTware, click on the Device Setup tab, and then select Advanced Config.

In the Threshold Settings section, select “Sloped” within in the Lvl Tresh Mode dropdown box.

Then set the Sloped Start Value, Lvl Tresh Value, and Sloped End Distance.

Product Name: Model 700 **Tag:** ECLIPSE **Level:** 0.0 cm **Echo Strength:** 34
Description: GWR Level Xmr **Long Tag:** Eclipse Model 700
Magnetrol S/N: 7073407373 **Descriptor:** **% Output:** 0.00 % **Dry Probe**

Home Device Setup Diagnostics
 Identity Basic Config I/O Config Local Display Config **Advanced Config** Factory Config

Enter Password:

Sensitivity:

Blocking Distance:

Safety Zone Settings

Safety Zone Alarm:

Failure Alarm Delay:

Level Trim:

Threshold Settings

Lvl Thresh Mode:

Sloped Start Value:

Lvl Thresh Value:

Sloped End Distance:

EoP Thresh Mode:

EoP Thresh Value:

End-of-Probe Settings

EoP Polarity:

EoP Analysis:

Echo Rejection

Reject Curve State:

Reject Curve Mode:

Saved Media Location:

Compensation

Compensation Mode:

Bulldog Detection:

Analog Output

Poll Address:

Analog Output Mode:

4mA Trim Value:

20mA Trim Value:

Fdbk 4mA Trim Value:

Fdbk 20mA Trim Value:

New User Password:

Product Name: Model 700 **Tag:** ECLIPSE **Level:** 0.0 cm **Echo Strength:** 35
Description: GWR Level Xmr **Long Tag:** Eclipse Model 700
Magnetrol S/N: 7073407304 **Descriptor:** **% Output:** 0.00 % **Dry Probe**

Home Device Setup Diagnostics
 Present Status Event History Advanced Diagnostics **Echo Curve** Echo History Trend Data

Comment
 Markers

Curve 1:

Curve 2:

Dielectric Range:

Sensitivity:

Blocking Distance:

Lvl Thresh Mode:

Lvl Thresh Value:

EoP Thresh Value:

Reject Curve State:

Reject Curve Mode:

Saved Media Location:

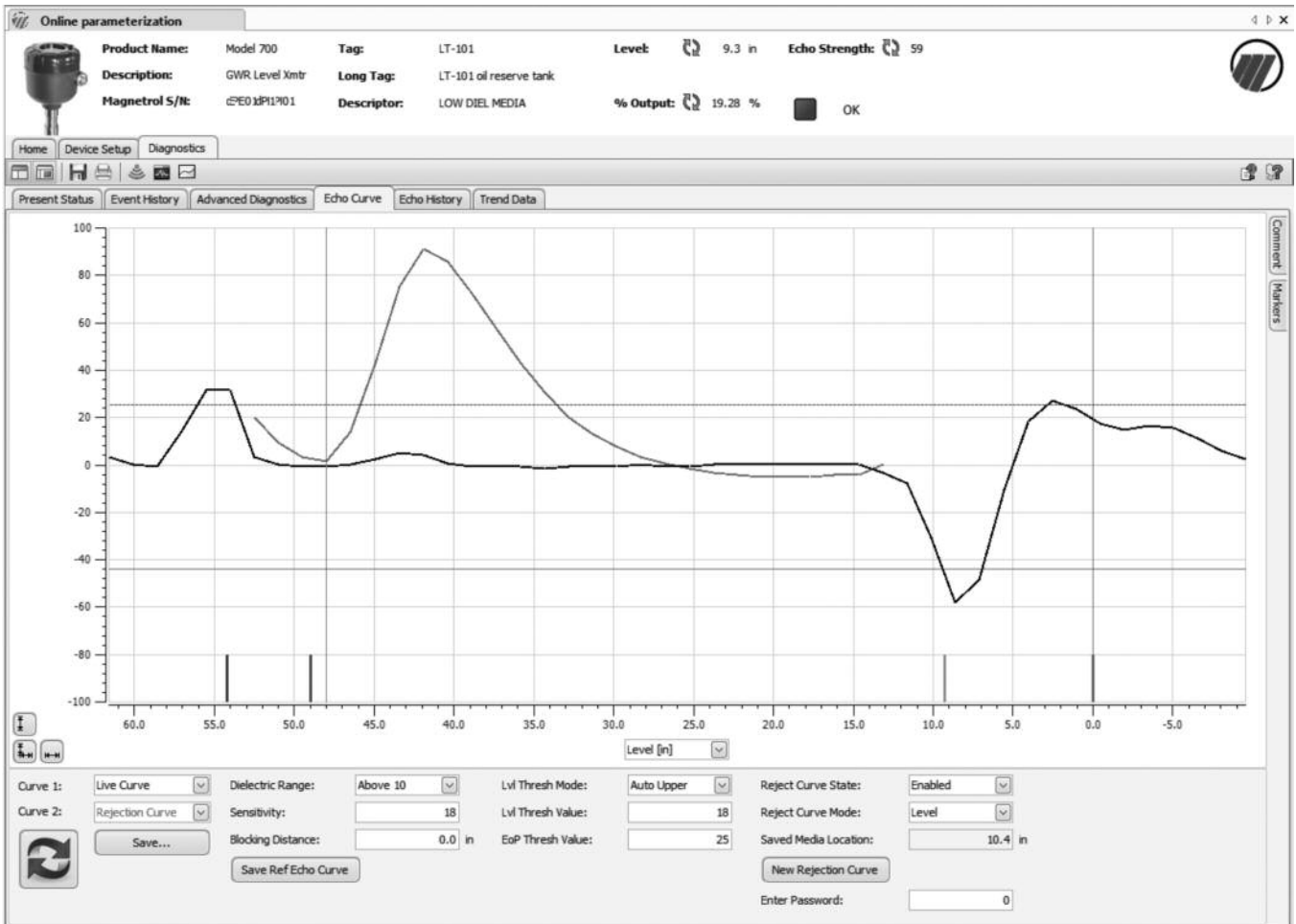
Enter Password:

4.3 Echo Rejection

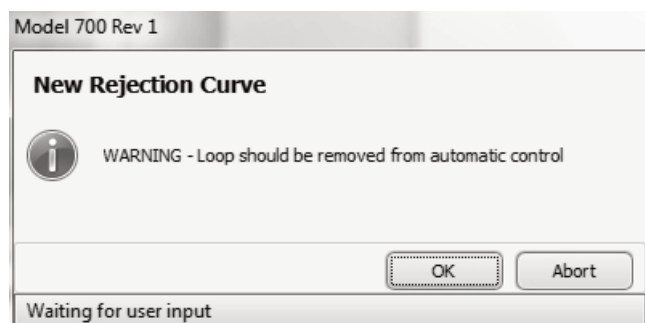
Another way to ignore unwanted signals along the length of the probe is by utilizing the Echo Rejection feature.

Setup using PACTware

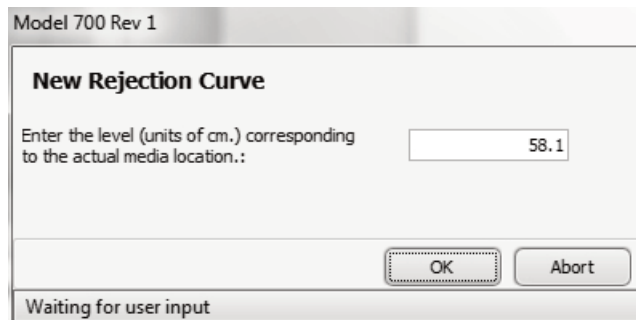
Select the Diagnostics tab and then the Echo Curve tab.
Then click on New Rejection Curve



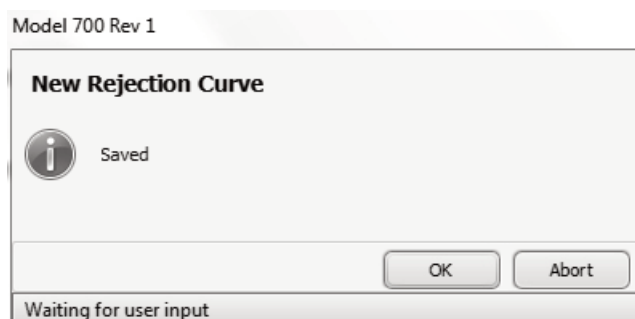
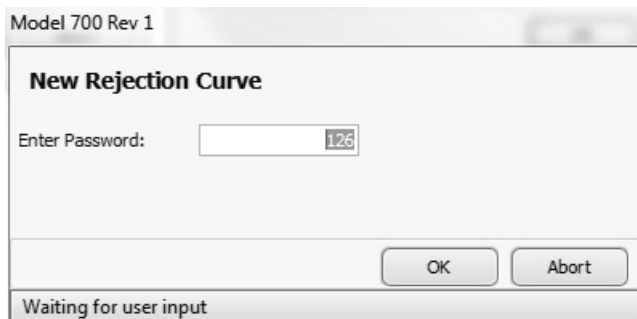
Click on OK at the loop warning message.



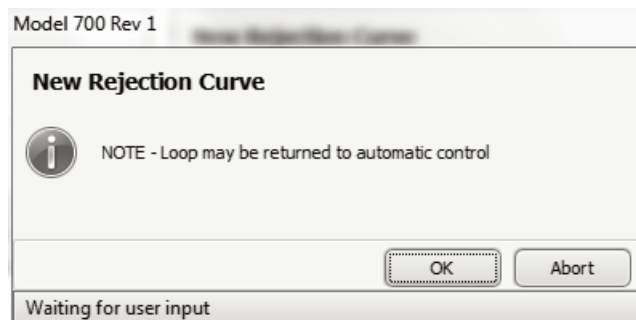
On the next screen, enter the actual process media location and then hit OK.



A password window will then appear (unless the password was previously entered). Enter the password and hit OK. Then the system calculates the curve, and then saves it. Hit OK to confirm.



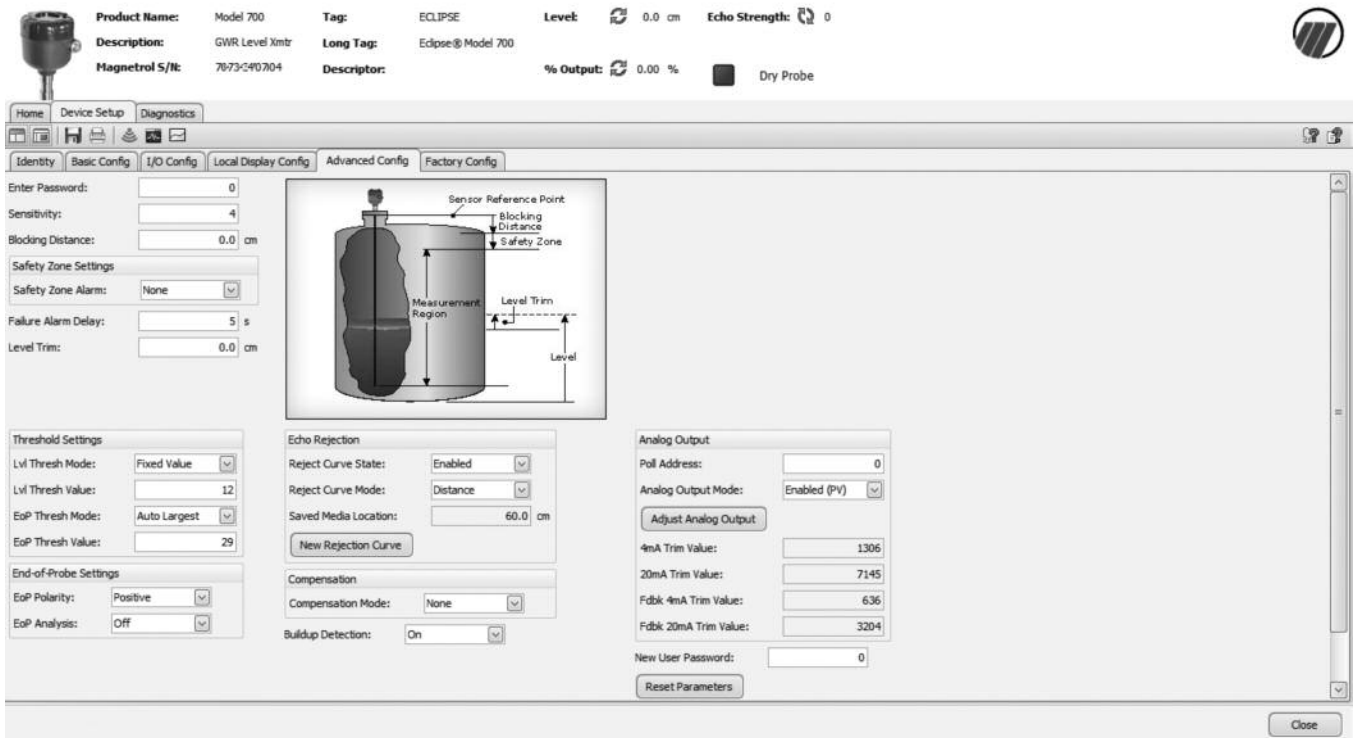
A warning screen is then shown so that the loop can be returned to automatic control.



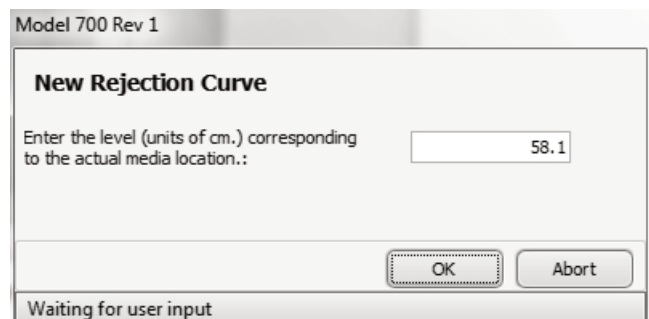
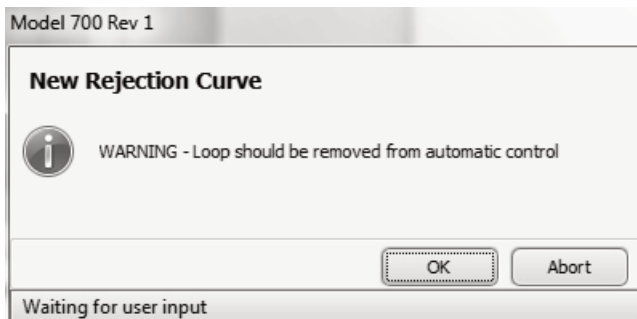
At this point the echo rejection curve can be viewed by selecting Rejection Curve as Curve 2 in the lower left corner of the screen. The Rejection curve will then be displayed in red as shown in the screenshot above.

Alternatively, you can follow the procedure below:

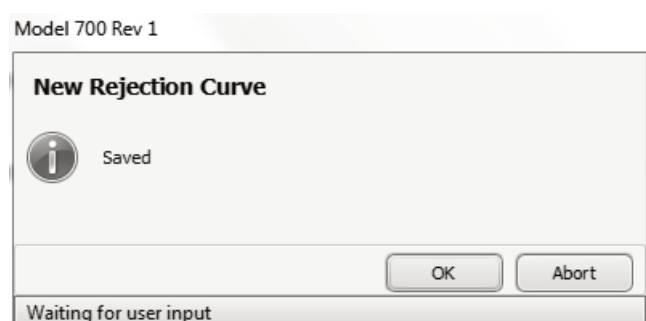
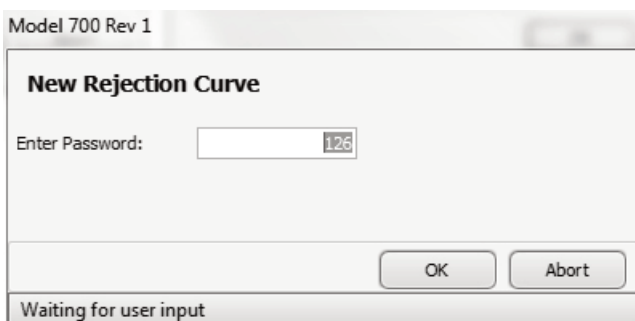
Select the Device Setup tab, and then select the Advanced Config tab. Then click on New Rejection Curve.



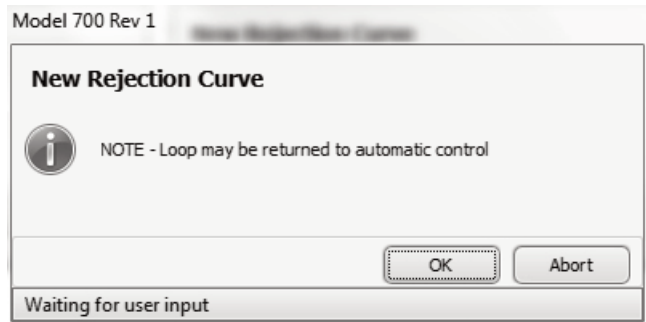
You will get a warning regarding the loop, hit OK. On the next screen you need to enter the actual media location and then hit OK.



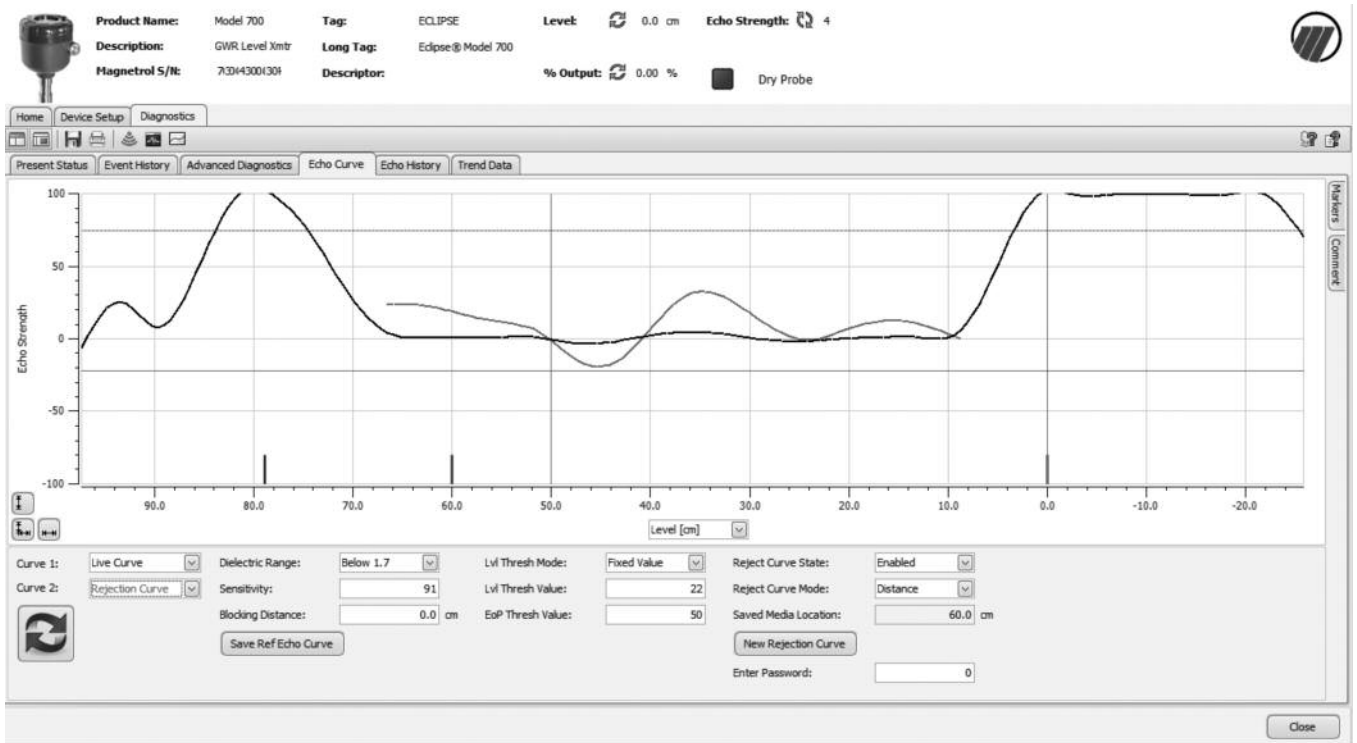
Next a password window might appear if not already entered. Then the system calculates the curve, and then saves it. Hit OK to confirm.



A warning screen is shown that the loop can be returned to automatic control.



At this point the echo rejection curve can be viewed by selecting Rejection Curve as Curve 2 in the lower left corner of the Echo Curve screen. The Rejection curve will then be displayed in red as shown in the screenshot below.



4.4 Buildup Detection

A unique feature contained within the Model 700 can be used to obtain an indication of buildup along the length of the probe. This can be set as the HART SV or TV which can be monitored in the control room. An algorithm compares the buildup echo strength as compared to the Lvl Thresh Value, and outputs value in percent.

4.4.1 Buildup Detection Setup using PACTware

Buildup detection is a feature that needs to be turned on in Advanced Config, see below.

The screenshot shows the PACTware Advanced Config interface for a Model 706 probe. The 'Buildup Detection' setting is set to 'On'. The interface includes tabs for Identity, Basic Config, I/O Config, Local Display Config, Advanced Config, and Factory Config. A diagram of the probe is shown with labels for Sensor Reference Point, Blocking Distance, Safety Zone, Measurement Region, Level Trim, and Level. Various configuration options like Threshold Settings, Echo Rejection, and Analog Output are visible.

Once turned on progress can be checked in the Advanced Diagnostics screen, see below.

The screenshot shows the PACTware Advanced Diagnostics interface for a Model 700 probe. The 'Probe Buildup' section shows 'Percent of Level Threshold' at 6%, 'Buildup Location' at 62.8 cm, and 'Buildup Rate' at 0 %/month. The 'Elec Temperatures' section shows Present Temperature at 21 °C, Max Temperature at 26 °C, and Min Temperature at 15 °C. The 'Internal Values' section shows various sensor parameters like Fiducial Ticks, Level Ticks, and EoP Ticks.

4.4.2 Buildup Detection Setup using the Keypad

From the menu select DEVICE SETUP and press Enter.
Scroll down to ADVANCED CONFIG and press Enter



Scroll down to Buildup Detection and press Enter



Select On and press Enter



Checking buildup can be done from the main display screen. First the unit must be set up to display the Buildup percentage. Go to the main menu and select DEVICE SETUP then press Enter.



Scroll down to DISPLAY CONFIG and press Enter.



Scroll down to Probe Buildup and hit Enter, then select View. From the main screen the Buildup percentage is now shown.



NOTES

IMPORTANT

SERVICE POLICY

Owners of Magnetrol products may request the return of a control; or, any part of a control for complete rebuilding or replacement. They will be rebuilt or replaced promptly. Magnetrol International will repair or replace the control, at no cost to the purchaser, (or owner) **other than transportation cost** if:

- a. Returned within the warranty period; and,
- b. The factory inspection finds the cause of the malfunction to be defective material or workmanship.

If the trouble is the result of conditions beyond our control; or, is **NOT** covered by the warranty, there will be charges for labour and the parts required to rebuild or replace the equipment.

In some cases, it may be expedient to ship replacement parts; or, in extreme cases a complete new control, to replace the original equipment before it is returned. If this is desired, notify the factory of both the model and serial numbers of the control to be replaced. In such cases, credit for the materials returned, will be determined on the basis of the applicability of our warranty.

No claims for misapplication, labour, direct or consequential damage will be allowed.

RETURNED MATERIAL PROCEDURE

So that we may efficiently process any materials that are returned, it is essential that a "Return Material Authorisation" (RMA) form will be obtained from the factory. It is mandatory that this form will be attached to each material returned. This form is available through Magnetrol's local representative or by contacting the factory. Please supply the following information:

1. Purchaser Name
2. Description of Material
3. Serial Number and Ref Number
4. Desired Action
5. Reason for Return
6. Process details

Any unit that was used in a process must be properly cleaned in accordance with the proper health and safety standards applicable by the owner, before it is returned to the factory.

A material Safety Data Sheet (MSDS) must be attached at the outside of the transport crate or box.

All shipments returned to the factory must be by prepaid transportation. Magnetrol **will not accept** collect shipments.

All replacements will be shipped Ex Works.

UNDER RESERVE OF MODIFICATIONS

BULLETIN: BE 57-660.0
EFFECTIVE: APRIL 2020
SUPERSEDES: New

European Headquarters & Manufacturing Facility

Heikensstraat 6

9240 Zele, Belgium

Tel: +32-(0)52-45.11.11 • Fax: +32-(0)52-45.09.93

e-mail: info@magnetrol.be

www.magnetrol.com

