

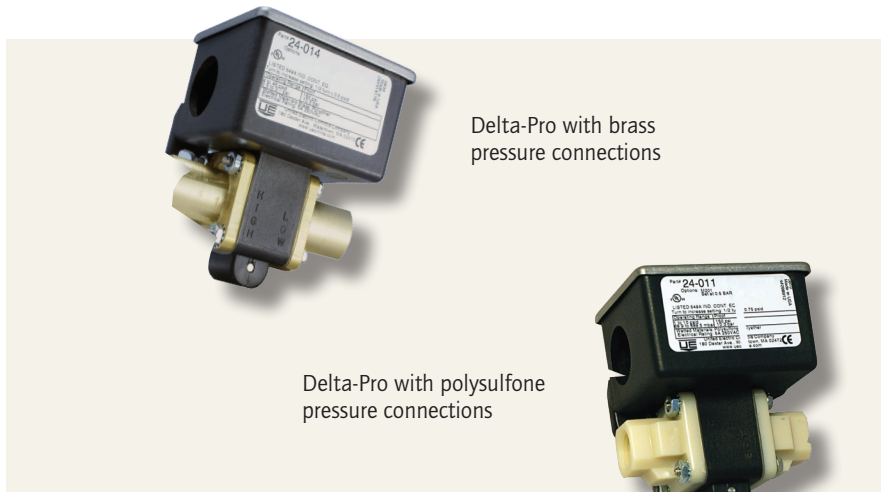


### OVERVIEW

The cost-effective 24 Series Delta-Pro™ differential pressure switches offer a unique blend of compact size, excellent performance, and environmental protection. Available with brass or polysulfone pressure connections, the Delta-Pro is ideal for applications involving hot or cool air, water, gas or oil. The precision snap-acting switch and sensitive diaphragms combine to provide a narrow deadband and repeatability of approximately  $\pm 1\%$  of full scale range. A convenient, externally accessible adjustment screw is multi-turn to provide easy set point adjustability. The force-balanced design gives the Delta-Pro excellent vibration resistance.

### FEATURES

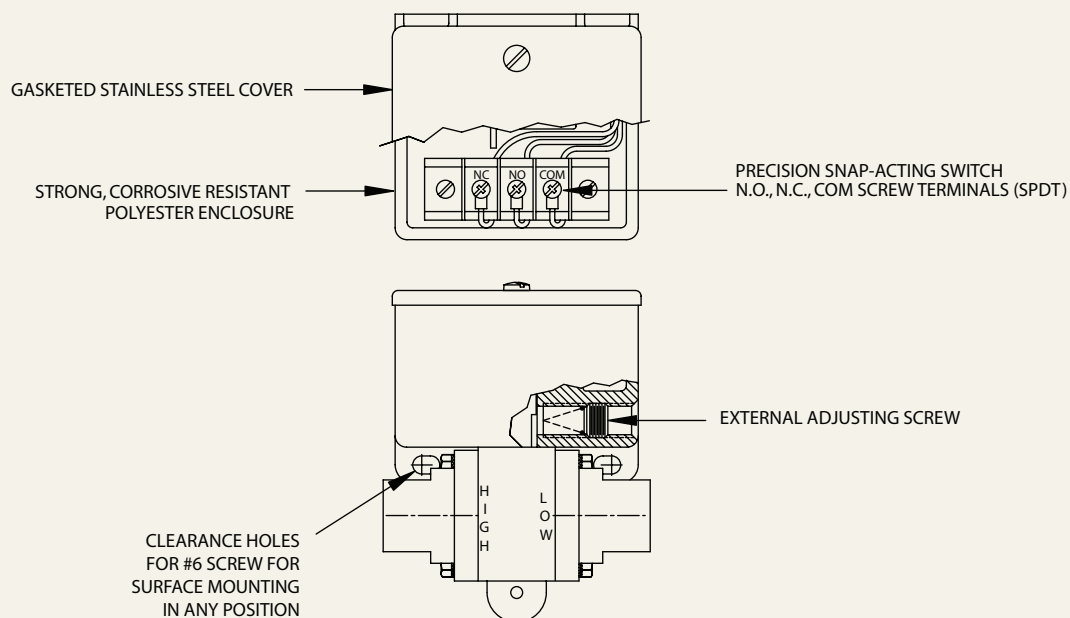
- UL listed and cUL certified. CE compliant to low voltage directive and pressure equipment directive
- Differential pressure measurement
- 5 A @ 125/250 VAC SPDT snap-acting switch
- External stainless steel multi-turn adjusting screw
- OEM capabilities include external adjustment knob with or without reference scale



## APPLICATIONS

Typical applications include filter monitoring and proof-of-flow. The 24 Series is used within the water & wastewater, bioprocessing, food & beverage, HVAC and gas processing industries.

## TECHNOLOGY



The 24 Series (Delta Pro™) was designed to be a compact, cost-effective differential pressure switch for applications such as proof-of-flow, filter monitoring, etc. It depends upon two opposing diaphragms to sense pressure on the "High" and "Low" pressure outputs of a system. The resulting pressure differential is transmitted through a linkage to a snap-action electrical switch, providing an output when a pre-set difference is exceeded. This set point can be easily modified while under pressure via an external adjusting screw. This adjustment "pre-loads" the actuation mechanism, which results in excellent vibration-resistance.



# 24 Series

24 Series

## SPECIFICATIONS

<b>AMBIENT TEMPERATURE</b>	30° to 160°F (-1° to 71°C). Set point typically shifts less than ±0.6% of range for a 50°F (28°C) ambient temperature change; consult factory for special ratings
<b>MAX MEDIA TEMPERATURE</b>	200°F (93°C) at 100 psi working pressure
<b>SHOCK</b>	Set point repeats after 15G, 10 millisecond duration
<b>VIBRATION</b>	Set point repeats after 2.5G, 5-500 Hz
<b>ENCLOSURE</b>	Complies with enclosure type 4 requirements for indoor installation with optional water tight conduit connector. Reinforced polyester body, stainless steel cover with gasket.
<b>SET POINT REPEATABILITY</b>	Typically ± 1% of full scale range.
<b>SWITCH OUTPUT</b>	One SPDT snap-action switch; switch may be wired "normally open" or "normally closed".
<b>ELECTRICAL RATING</b>	Rated to 5 A resistive and 5 A inductive (75% PF) at 125 VAC and 250 VAC, 1/4 HP; 5 A resistive and 3 A inductive at 30 VDC and 0.5 A resistive and 0.25 inductive at 125 VDC. Gold flash over silver contacts for minimum loads of 5 mA at 6 VDC, 2 mA at 12 VDC and 1 mA at 24 VDC
<b>WEIGHT</b>	6.5 oz.
<b>ELECTRICAL CONNECTION</b>	7/8" hole for optional 1/2" NPT conduit connector. Terminal block with screw terminals. Max wire size 16 AWG
<b>PRESSURE CONNECTION</b>	Models 013-014: 1/4" NPT (female) brass; models 011-012: 1/4" NPS (female) FDA compliant* Udel® polysulfone, non-tapered to minimize connection stress with 1/4" NPT (male) fittings - max torque is 2-ft.lbs.
<b>MOUNTING &amp; INSTALLATION</b>	Surface mount with two screws through clearance holes, or mount by pressure connections

Udel® is a registered trademark of Solvay Advanced Polymers

\* The U.S. Food & Drug Administration (FDA) has approved polysulfone resins as compliant with the specifications of the FDA 21CFR177.1655 for repeated use and selected single use in contact with food under conditions of use as specified in the citation.

## APPROVALS



### **UNITED STATES AND CANADA**

**UL** Listed, **cUL** Certified

Pressure: UL 508; CSA C22.2 No. 14, File #E42272



### **EUROPEAN UNION**

#### **Low Voltage Directive (LVD) 2014/35/EU**

UEC Compliant to LVD

Products rated lower than 50 VAC and 75 VDC are outside the scope of the LVD

The Low Voltage Directive does not apply to products for use in hazardous locations

#### **Pressure Equipment Directive (PED) 2014/68/EU**

##### **Pressure models only**

Compliant to PED

Products rated below 7.5 psi are outside of the scope of the PED

## DIFFERENTIAL PRESSURE MODEL CHART

Model	Adjustable Range		Typical Deadband		**Max. Working Pressure		*Proof Pressure	
	Low end of range of fall	High end of range on rise	psid	mbar	psi	bar	psi	bar
Polyurethane (polyether) diaphragm and polysulfone® 1/4" NPS (female) (mechanical) pressure connection								
011	1 to 10	68,9 mbar to 0,7	0.75	51,7	0 to 150	0 to 10,3	150	10,3
012	4 to 45	0,3 to 3,1	1	68,9	0 to 150	0 to 10,3	150	10,3
Polyurethane (polyether) diaphragm and brass 1/4" NPT (female) pressure connection								
013	1 to 10	68,9 mbar to 0,7	0.75	51,7	0 to 150	0 to 10,3	150	10,3
014	4 to 45	0,3 to 3,1	1	68,9	0 to 150	0 to 10,3	150	10,3

**\*Proof Pressure:** The maximum pressure to which a pressure sensor may be occasionally subjected, which causes no permanent damage. The unit may require calibration (e.g. start-up, testing).

**\*\*Working Pressure:** The pressure range within which two opposing sensors can be safely operated and still maintain set point adjustability.



### HOW TO ORDER

Build a part number by selecting a model and options. Choose the Sensor Type and the Range from the Model Chart. If options are required, add the code from the option list below. Example: 24-013 \* M900.

<b>24</b> Select a Type	<b>013</b> Select a Model	<b>M900</b> Select an Option
24	013	M900

#### COMPONENTS CODE

#### DESCRIPTION

#### SERIES DESIGNATION

24 Designation for 24 Series product line

#### DIFFERENTIAL PRESSURE MODELS \*

011, 012 Polyurethane (polyether) diaphragm and 1/4" NPS (female) (mechanical) polysulfone pressure connection

013, 014 Polyurethane (polyether) diaphragm and 1/4" NPT (female) brass pressure connection

\*(See Model Chart for Differential Pressure Ranges)

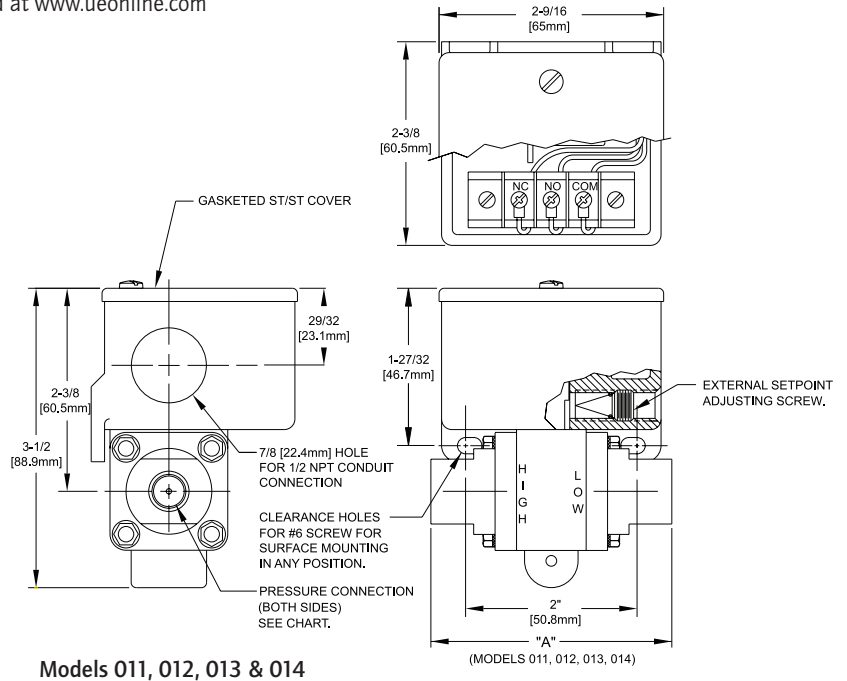
#### OPTIONS

- M020 Red status light, 115 VAC only. Specify whether light turns on or off with increasing or decreasing pressure
- M201 Factory set one switch; specify set point on increasing or decreasing pressure
- M262 Buna-N diaphragm
- M277 Range in kPa or MPa on nameplate, factory selected
- M278 Range in Kg/cm<sup>2</sup> on nameplate
- M540 Viton® Wetted parts with standard pressure connection. Deadband and low end of range may increase.
- M900 Water tight conduit fitting; converts 7/8" hole to 1/2" NPT fitting; must specify for Enclosure Type 4 compliance

Viton® is a registered trademark of E.I. duPont de Nemours and Company.

**DIMENSIONAL DRAWINGS**

Dimensional drawings for all models may be found at [www.ueonline.com](http://www.ueonline.com)  
 All dimensions stated in inches (millimeters)



Model	DIMENSION A	Pressure Connection
011, 012	2.75" (69.9 mm)	1/4" NPS (F) Polysulfone
013, 014	3.13" (79.5 mm)	1/4" NPT (F) Brass

## RECOMMENDED PRACTICES AND WARNINGS

United Electric Controls Company recommends careful consideration of the following factors when specifying and installing UE pressure and temperature units. Before installing a unit, the Installation and Maintenance instructions provided with unit must be read and understood.

- To avoid damaging unit, proof pressure and maximum temperature limits stated in literature and on nameplates must never be exceeded, even by surges in the system. Operation of the unit up to maximum pressure or temperature is acceptable on a limited basis (e.g., start-up, testing) but continuous operation must be restricted to the designated adjustable range. Excessive cycling at maximum pressure or temperature limits could reduce sensor life.
- A back-up unit is necessary for applications where damage to a primary unit could endanger life, limb or property. A high or low limit switch is necessary for applications where a dangerous runaway condition could result.
- The adjustable range must be selected so that incorrect, inadvertent or malicious setting at any range point cannot result in an unsafe system condition.
- Install unit where shock, vibration and ambient temperature fluctuations will not damage unit or affect operation. When applicable, orient unit so that moisture does not enter the enclosure via the electrical connection. When appropriate, this entry point should be sealed to prevent moisture entry.
- Unit must not be altered or modified after shipment. Consult UE if modification is necessary.
- Monitor operation to observe warning signs of possible damage to unit, such as drift in set point or faulty display. Check unit immediately.
- Preventative maintenance and periodic testing is necessary for critical applications where damage could endanger property or personnel.
- Electrical ratings stated in literature and on nameplate must not be exceeded. Overload on a switch can cause damage, even on the first cycle. Wire unit according to local and national electrical codes, using wire size recommended in installation sheet.
- Do not mount unit in ambient temp. exceeding published limits.

## LIMITED WARRANTY

Seller warrants that the product hereby purchased is, upon delivery, free from defects in material and workmanship and that any such product which is found to be defective in such workmanship or material will be repaired or replaced by Seller (Ex-works, Factory, Watertown, Massachusetts. INCOTERMS); provided, however, that this warranty applies only to equipment found to be so defective within a period of 24 months from the date of manufacture by the Seller. Seller shall not be obligated under this warranty for alleged defects which examination discloses are due to tampering, misuse, neglect, improper storage, and in any case where products are disassembled by anyone other than authorized Seller's representatives. EXCEPT FOR THE LIMITED WARRANTY OF REPAIR AND REPLACEMENT STATED ABOVE, SELLER DISCLAIMS ALL WARRANTIES WHATSOEVER WITH RESPECT TO THE PRODUCT, INCLUDING ALL IMPLIED WARRANTIES OF MERCHANTABILITY OR FITNESS FOR ANY PARTICULAR PURPOSE.

## LIMITATION OF SELLER'S LIABILITY

SELLER'S LIABILITY TO BUYER FOR ANY LOSS OR CLAIM, INCLUDING LIABILITY INCURRED IN CONNECTION WITH (I) BREACH OF ANY WARRANTY WHATSOEVER, EXPRESSED OR IMPLIED, (II) A BREACH OF CONTRACT, (III) A NEGLIGENT ACT OR ACTS (OR NEGLIGENT FAILURE TO ACT) COMMITTED BY SELLER, OR (IV) AN ACT FOR WHICH STRICT LIABILITY WILL BE INPUTTED TO SELLER, IS LIMITED TO THE "LIMITED WARRANTY" OF REPAIR AND/OR REPLACEMENT AS SO STATED IN OUR WARRANTY OF PRODUCT. IN NO EVENT SHALL THE SELLER BE LIABLE FOR ANY SPECIAL, INDIRECT, CONSEQUENTIAL OR OTHER DAMAGES OF A LIKE GENERAL NATURE, INCLUDING, WITHOUT LIMITATION, LOSS OF PROFITS OR PRODUCTION, OR LOSS OR EXPENSES OF ANY NATURE INCURRED BY THE BUYER OR ANY THIRD PARTY.

*UE specifications subject to change without notice.*

FOR A LIST OF OUR INTERNATIONAL AND DOMESTIC  
REGIONAL SALES OFFICES PLEASE VISIT OUR  
WEBPAGE [WWW.UEONLINE.COM](http://WWW.UEONLINE.COM)



UNITED ELECTRIC  
CONTROLS

180 Dexter Avenue  
Watertown, MA 02472 USA  
Telephone: 617 926-1000 Fax: 617 926-2568  
[www.ueonline.com](http://www.ueonline.com)